

DIBUIX TÈCNIC (SELECTIVITAT)

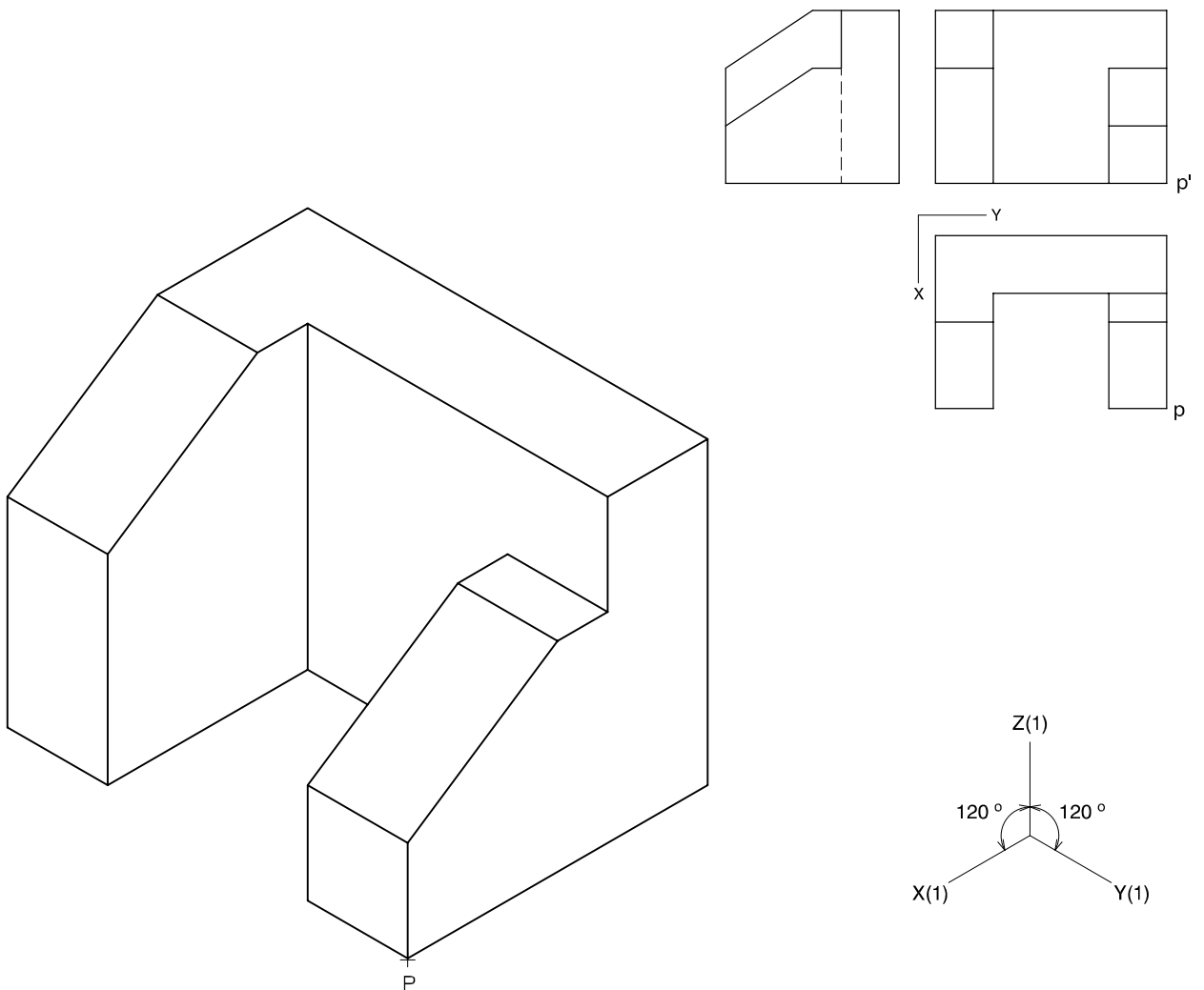
SPHERE

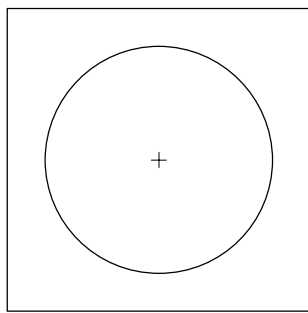
STANDARD KIT 4

2008 a 2005

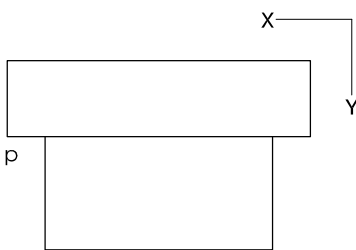
SOLUCIONS

Autor: Jordi Cherta Romani

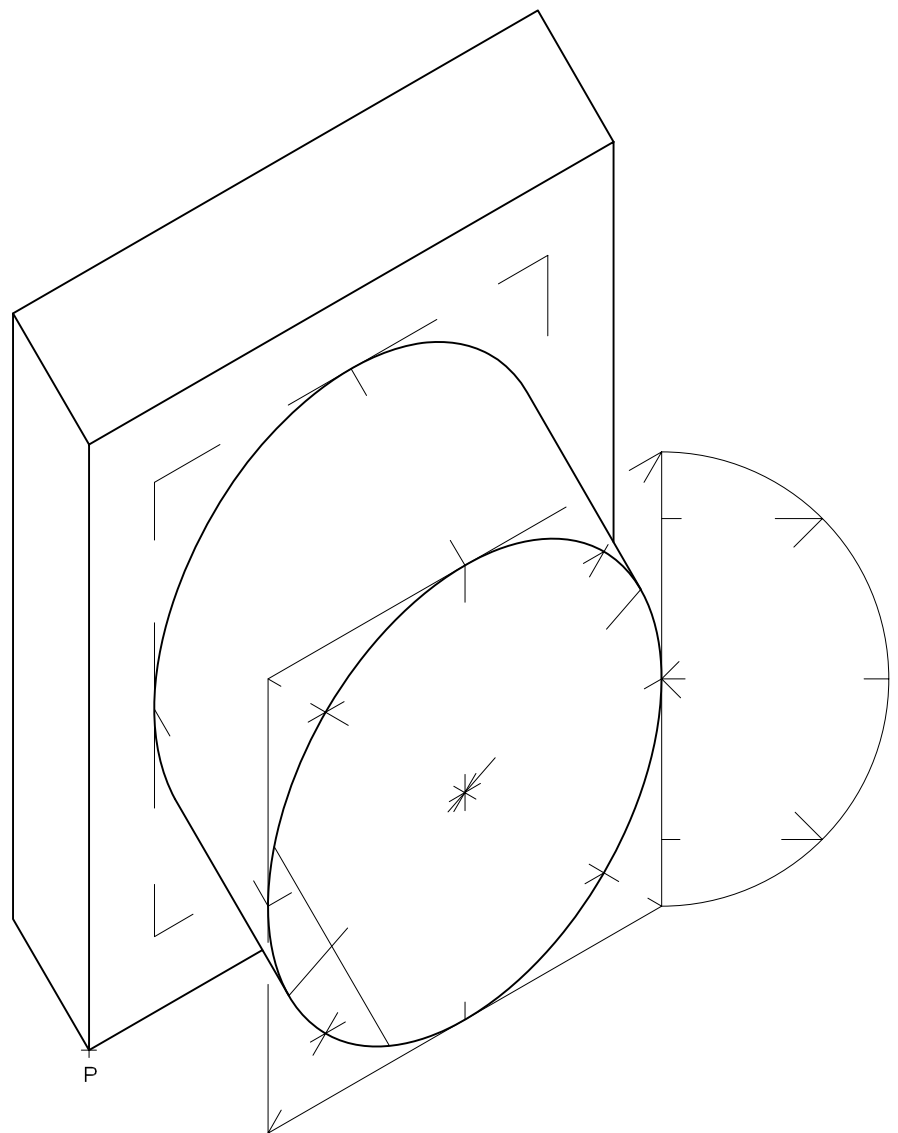
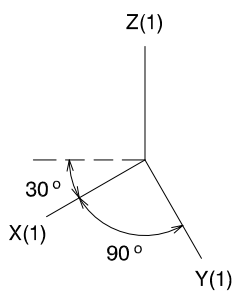




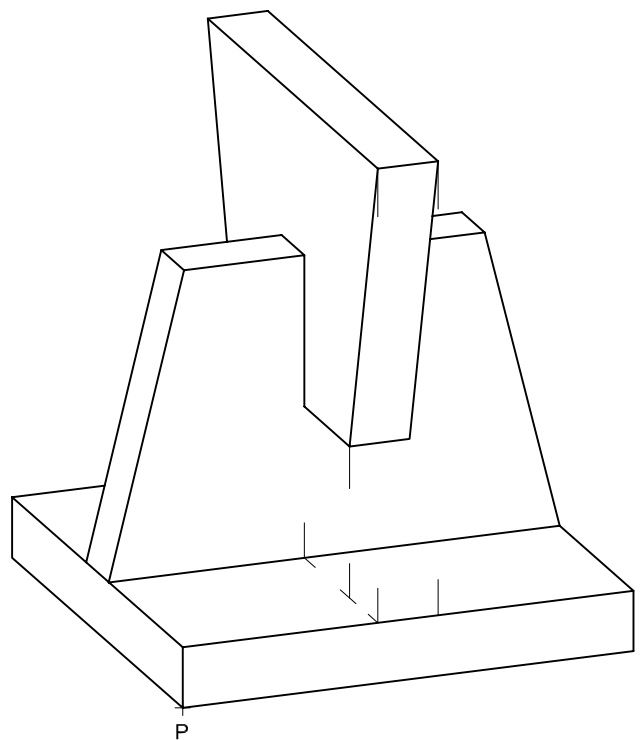
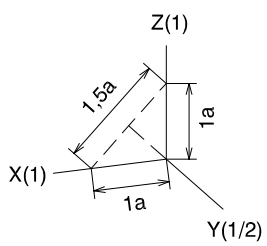
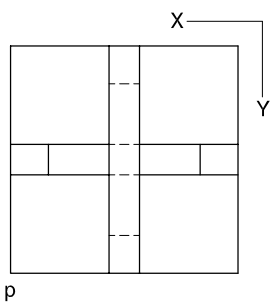
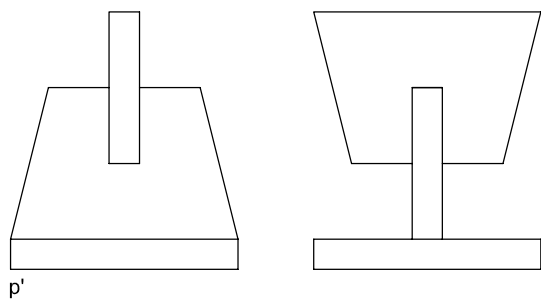
p'



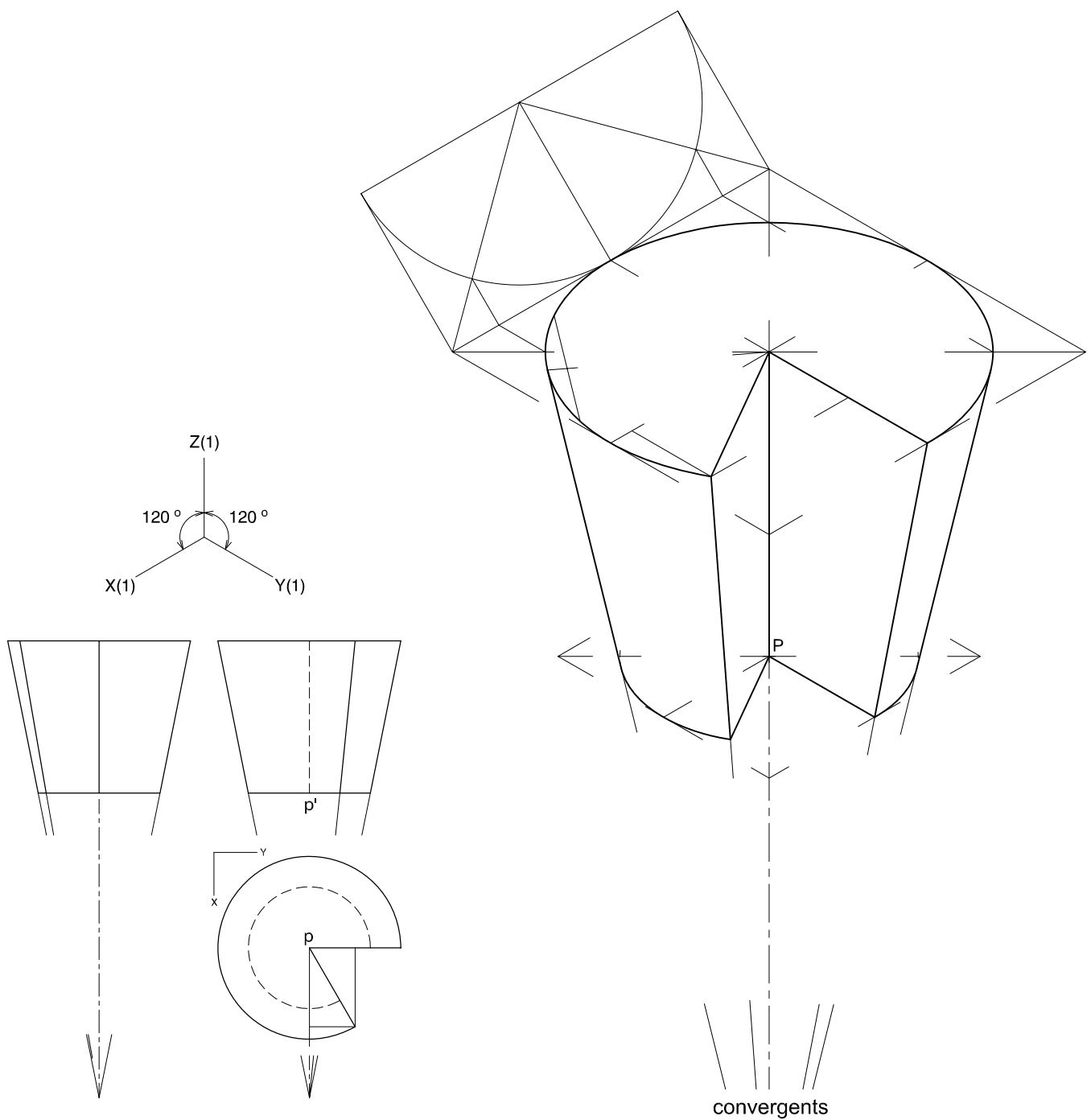
p



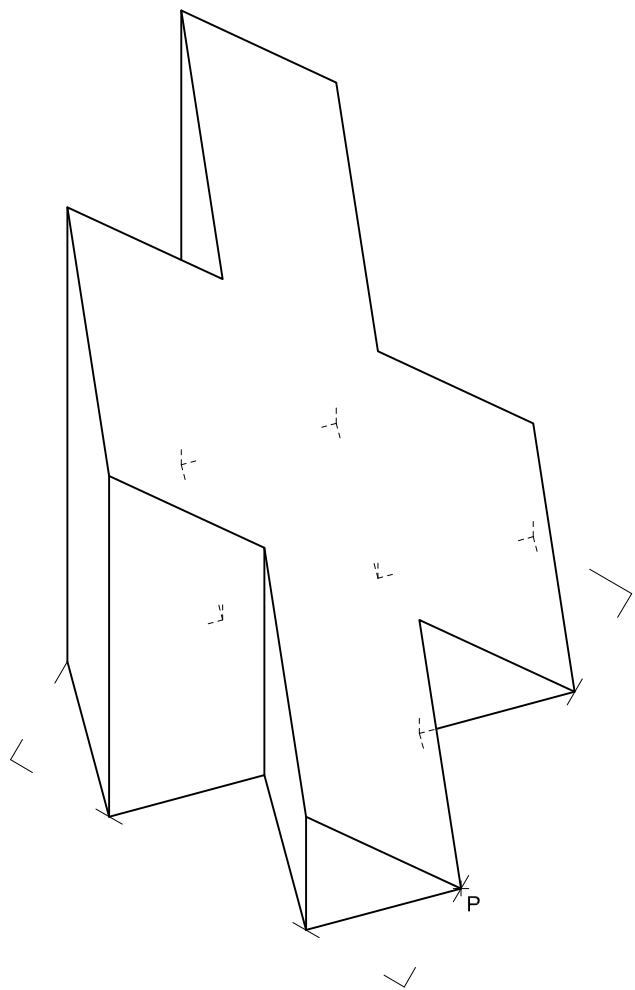
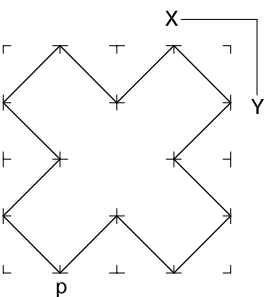
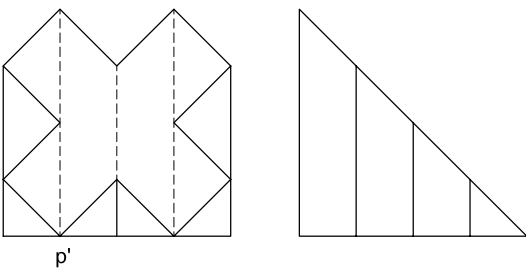
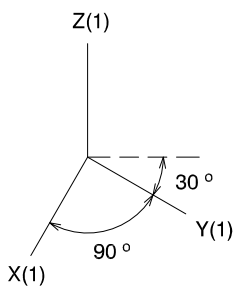
S1.3A



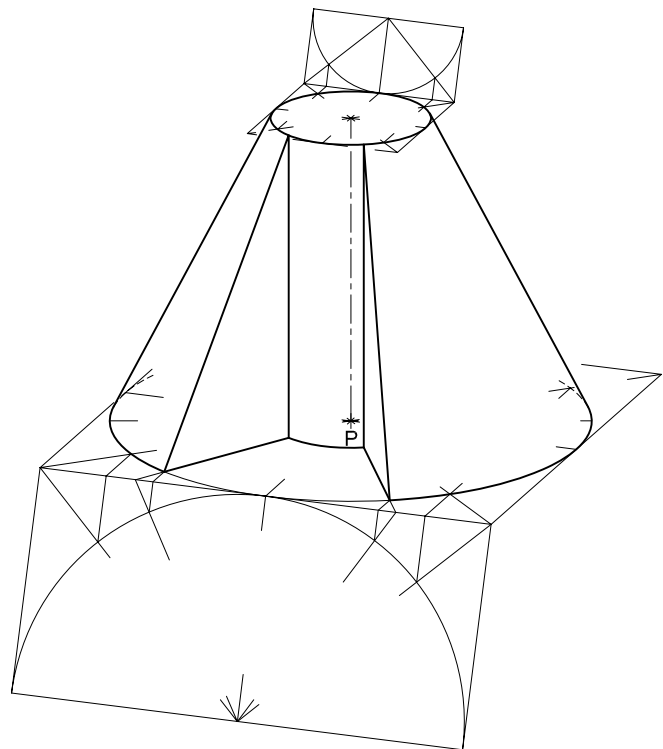
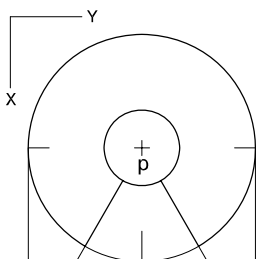
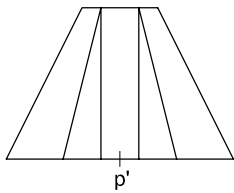
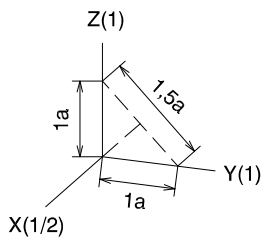
S1.3B



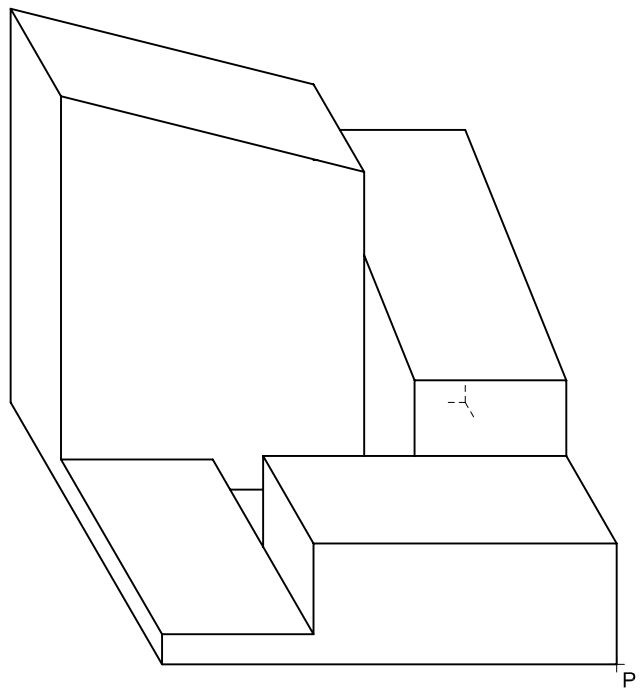
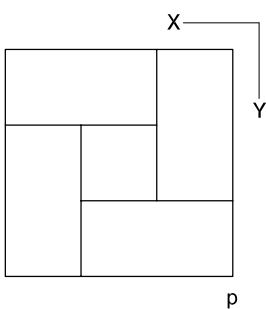
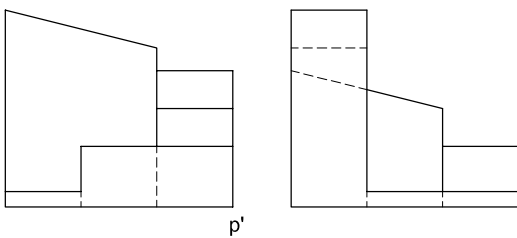
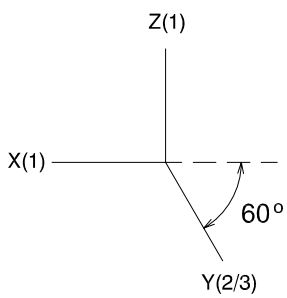
S3.3A



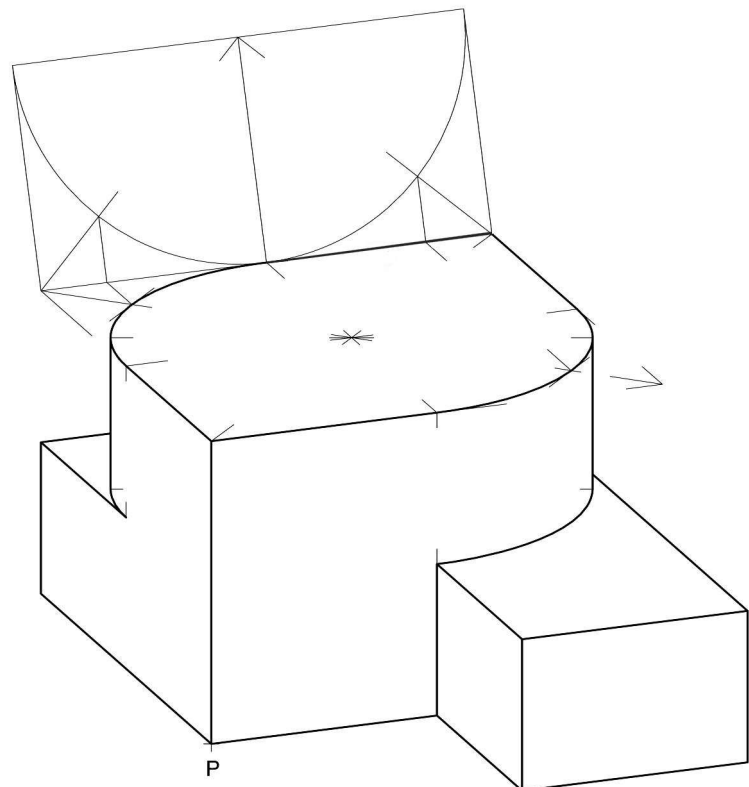
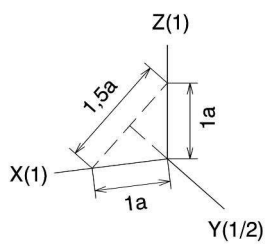
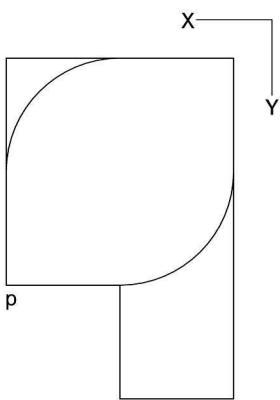
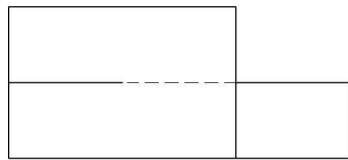
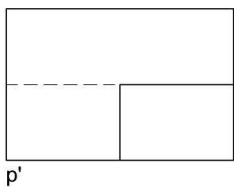
S3.3B



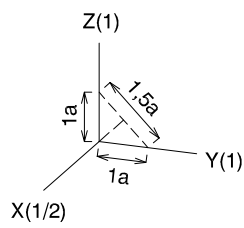
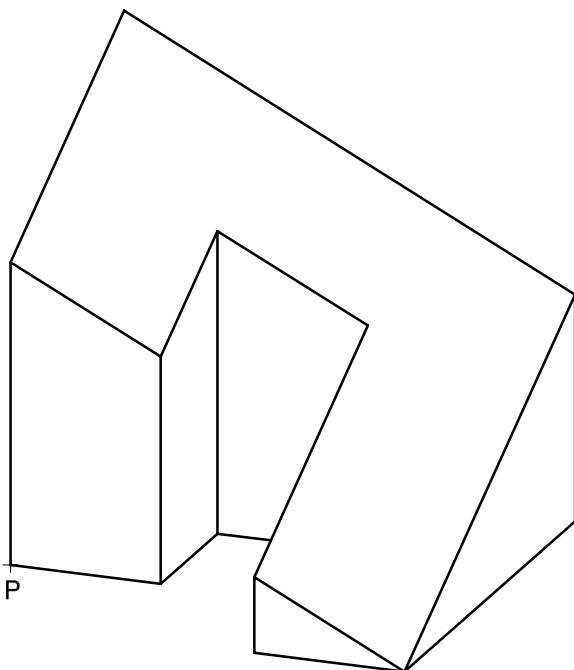
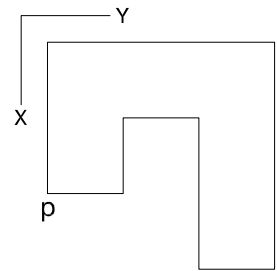
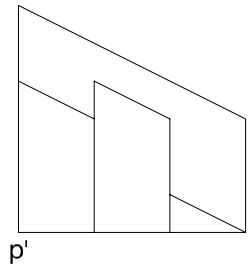
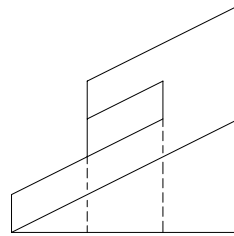
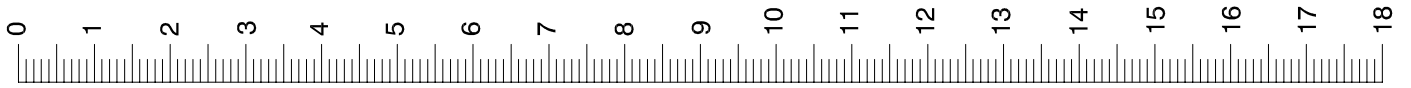
S4.3A



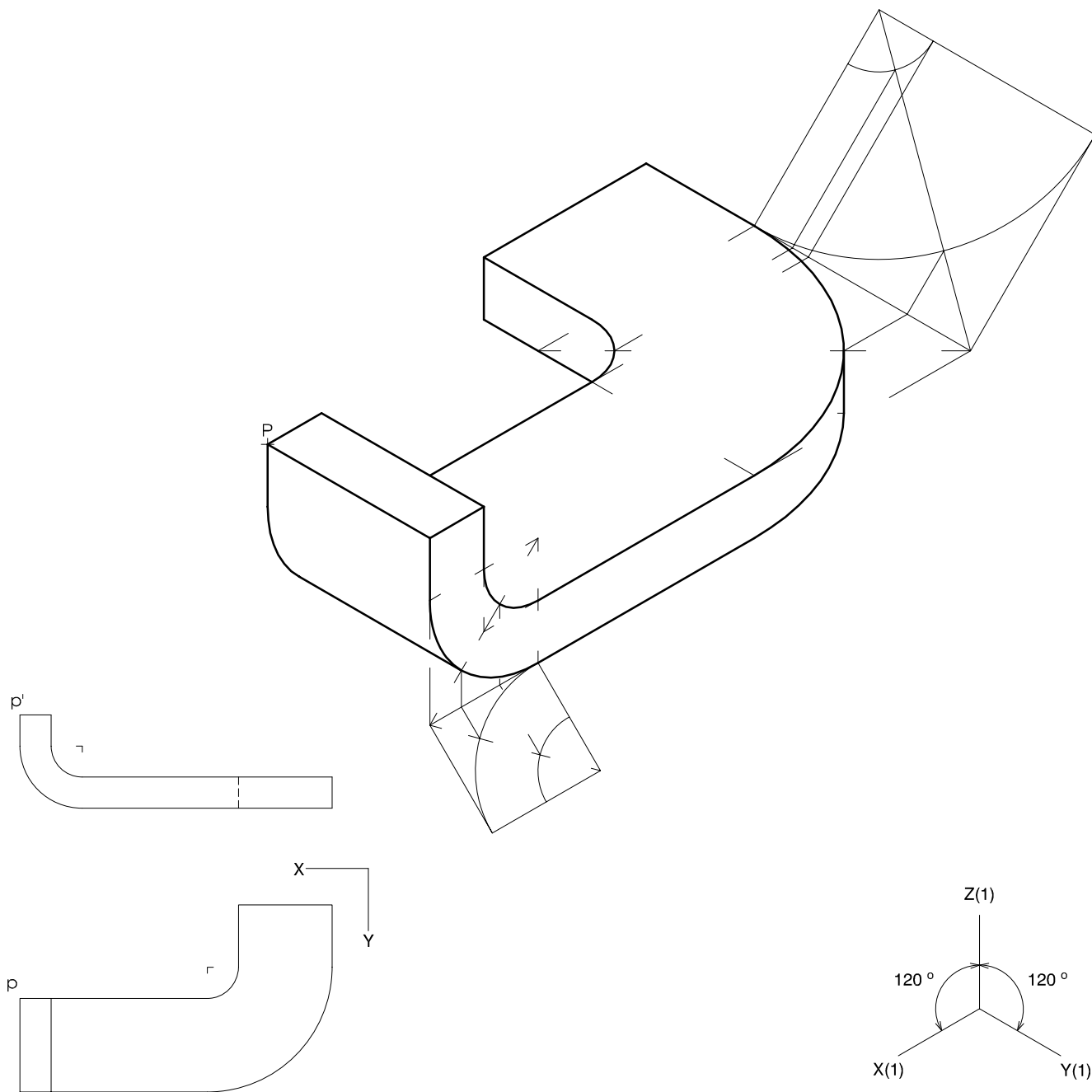
S4.3B



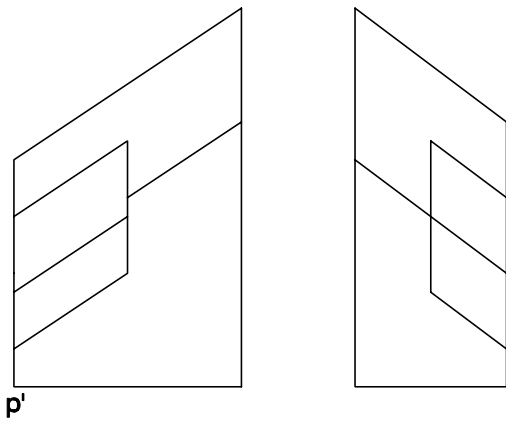
S2.3A



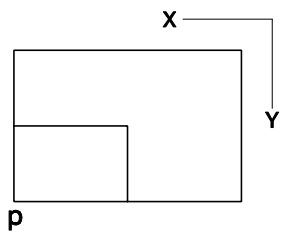
S2.3B



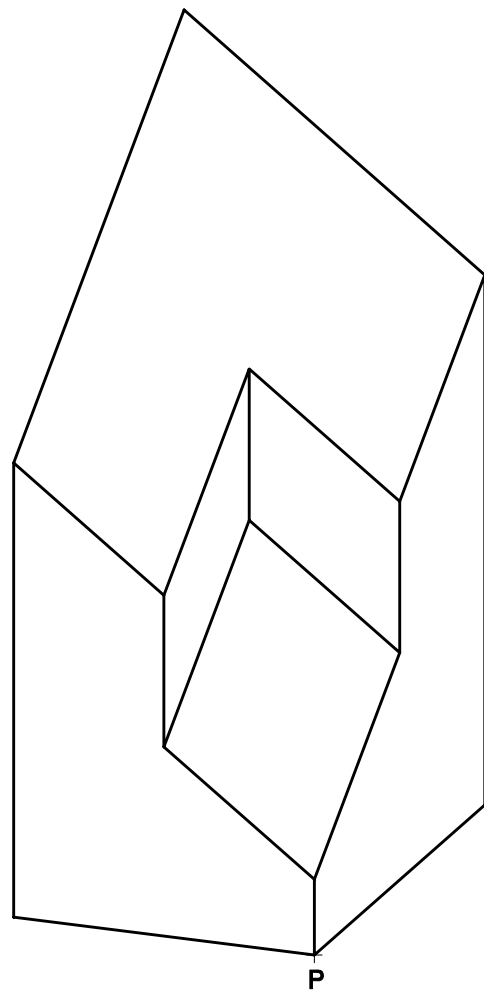
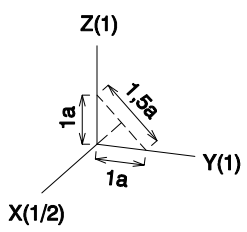
S1.3A



p'

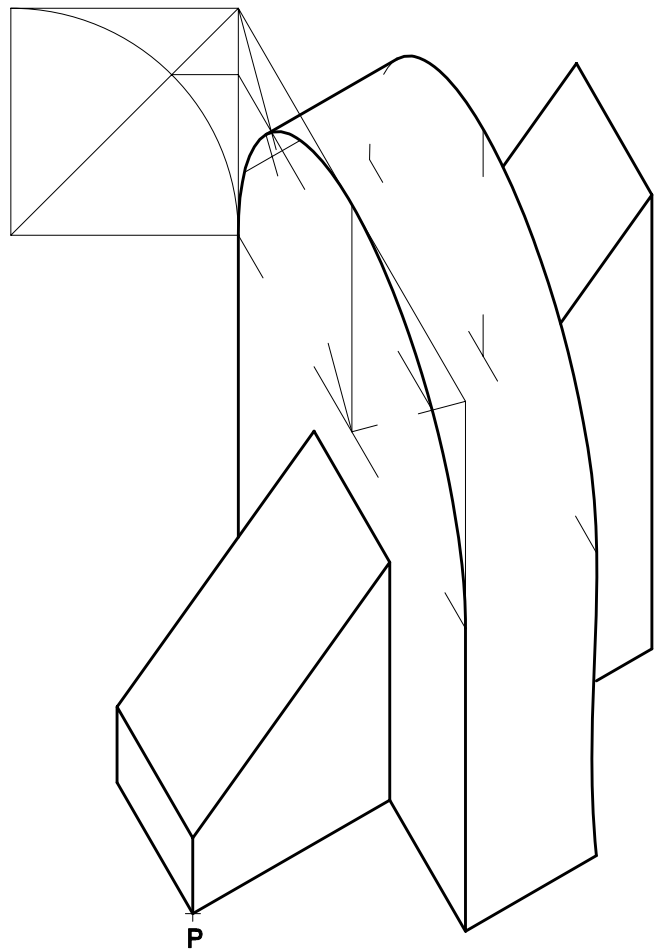
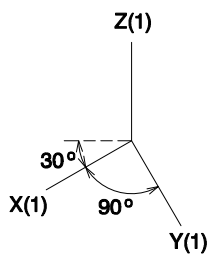
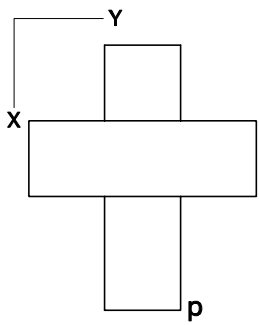
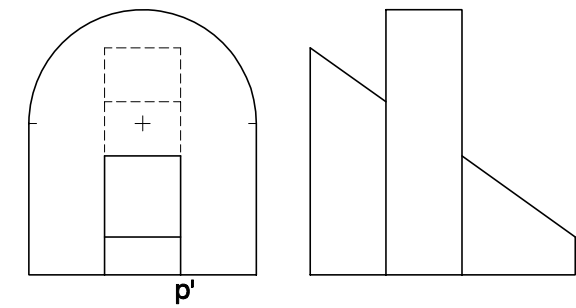


p

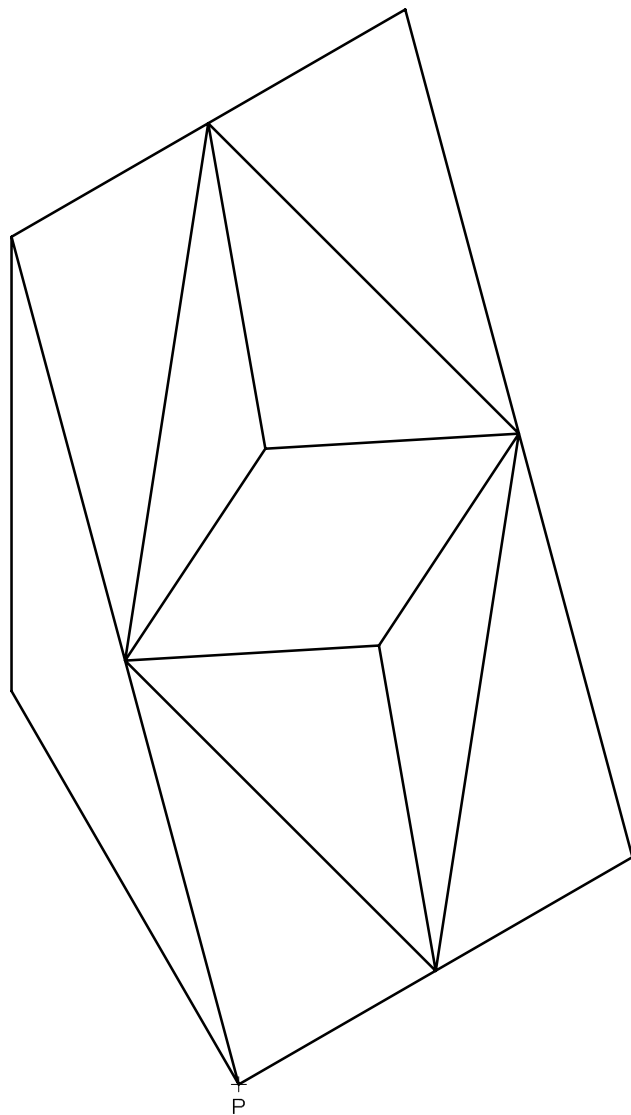
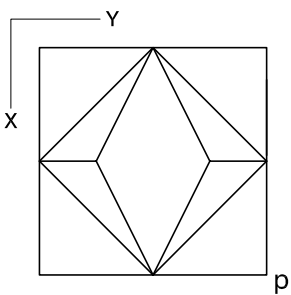
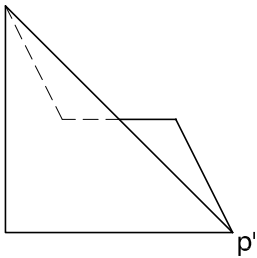
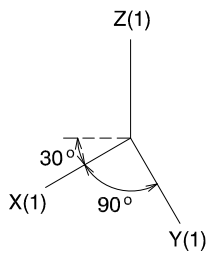


P

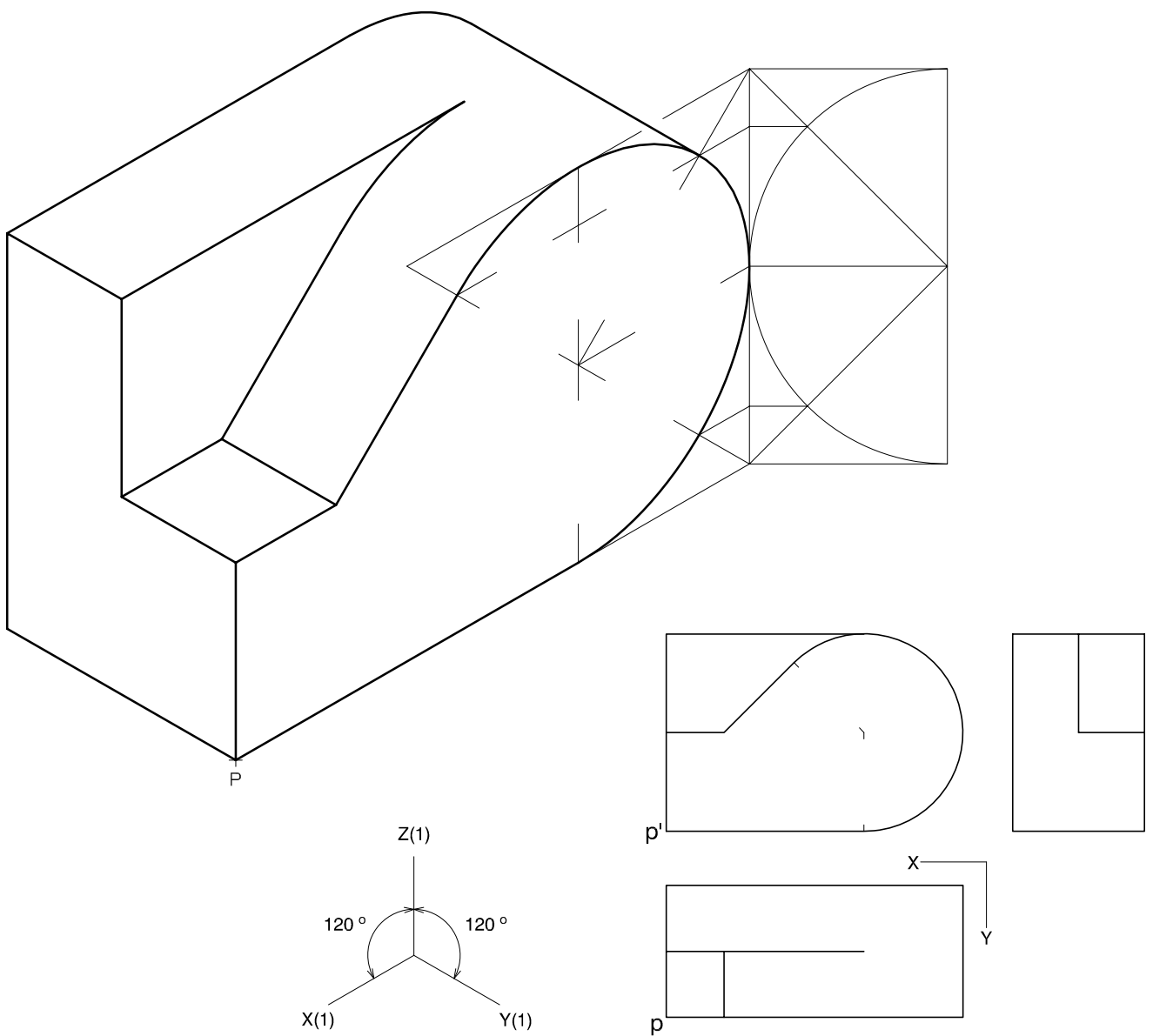
S1.3B



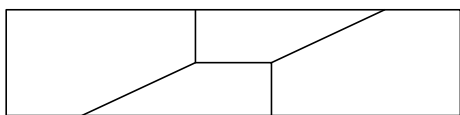
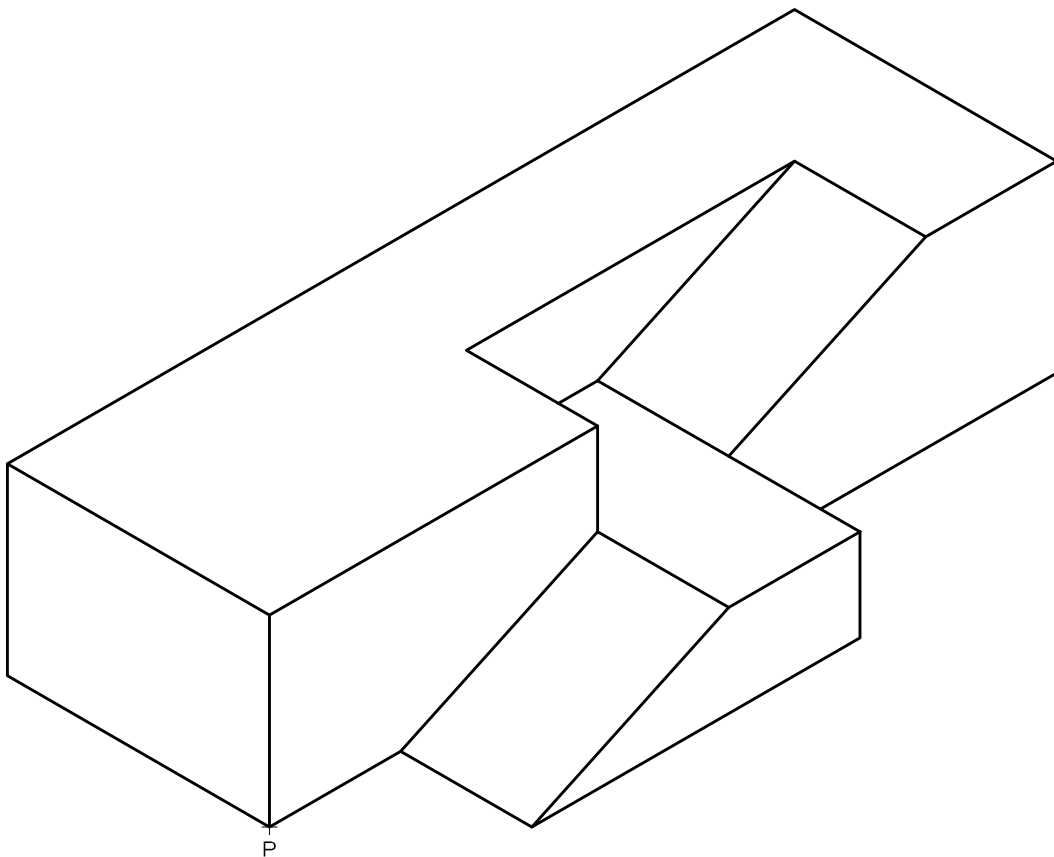
S3.3A



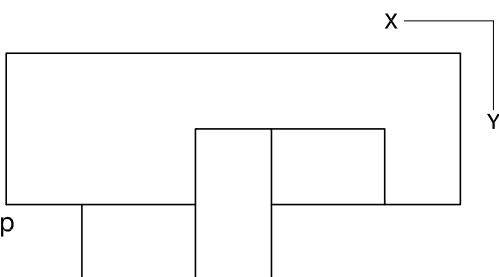
S3.3B



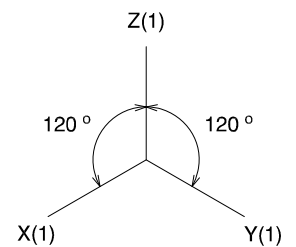
2-3A



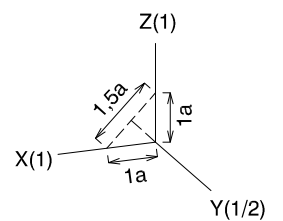
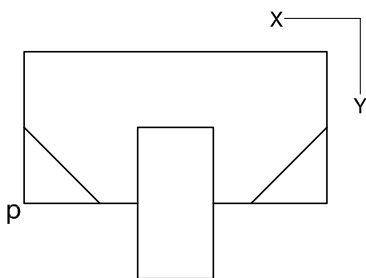
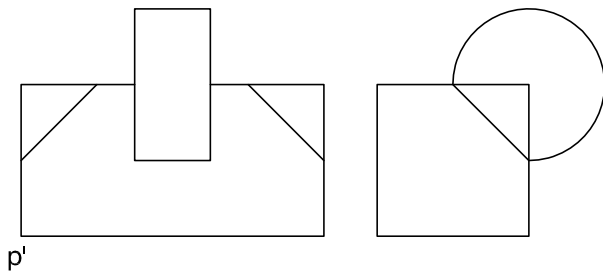
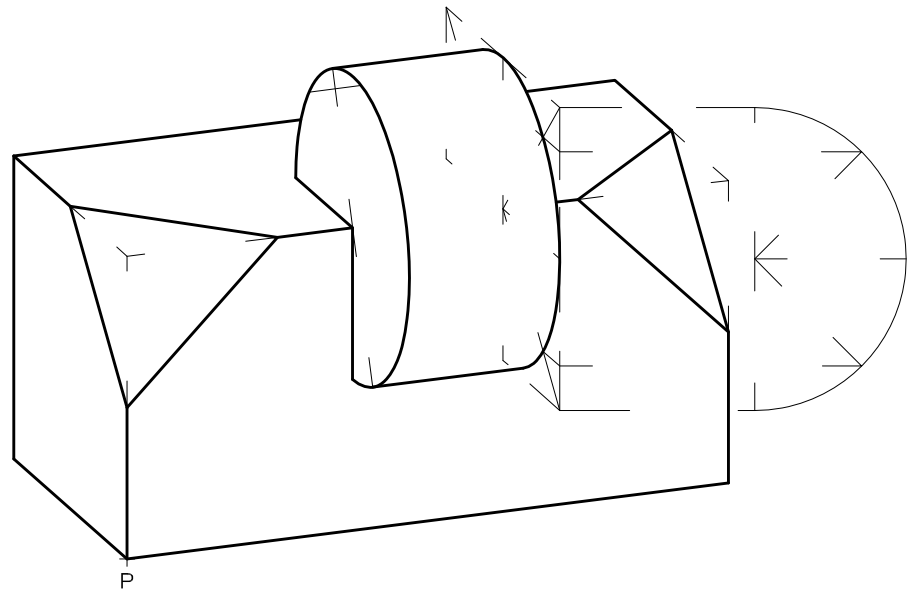
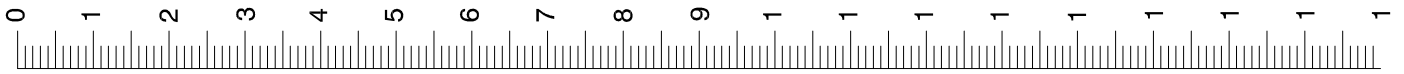
p'



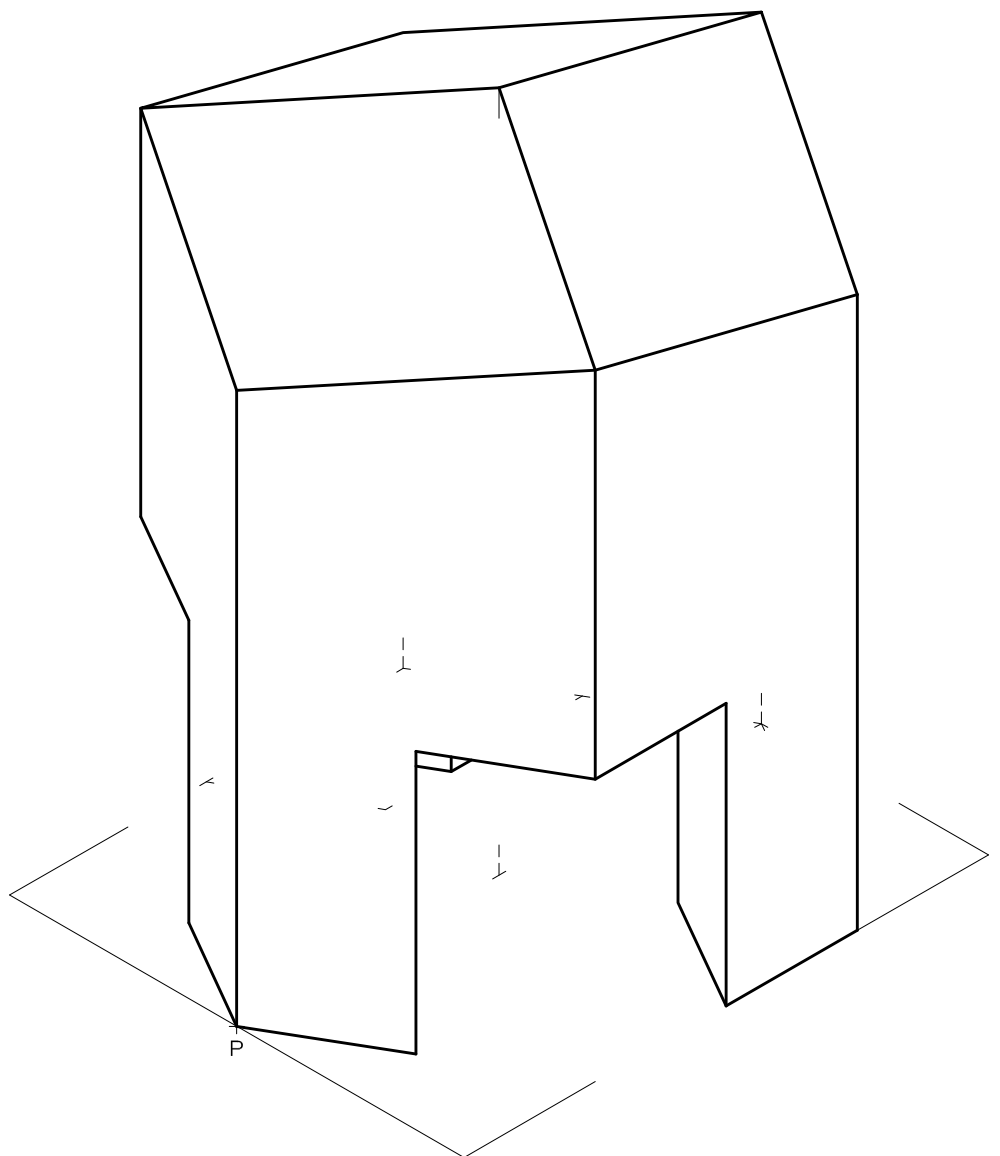
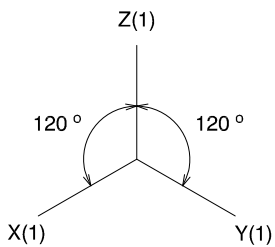
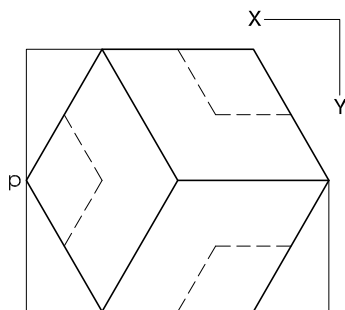
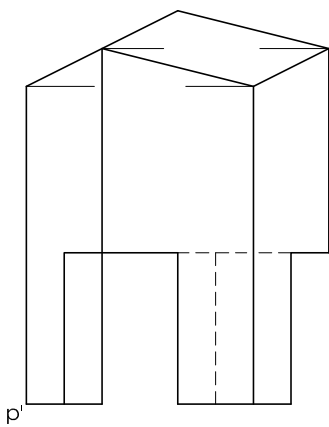
p



2-3B



S5.3A



5-3B

