

DIBUIX TÈCNIC (SELECTIVITAT)

SPHERE

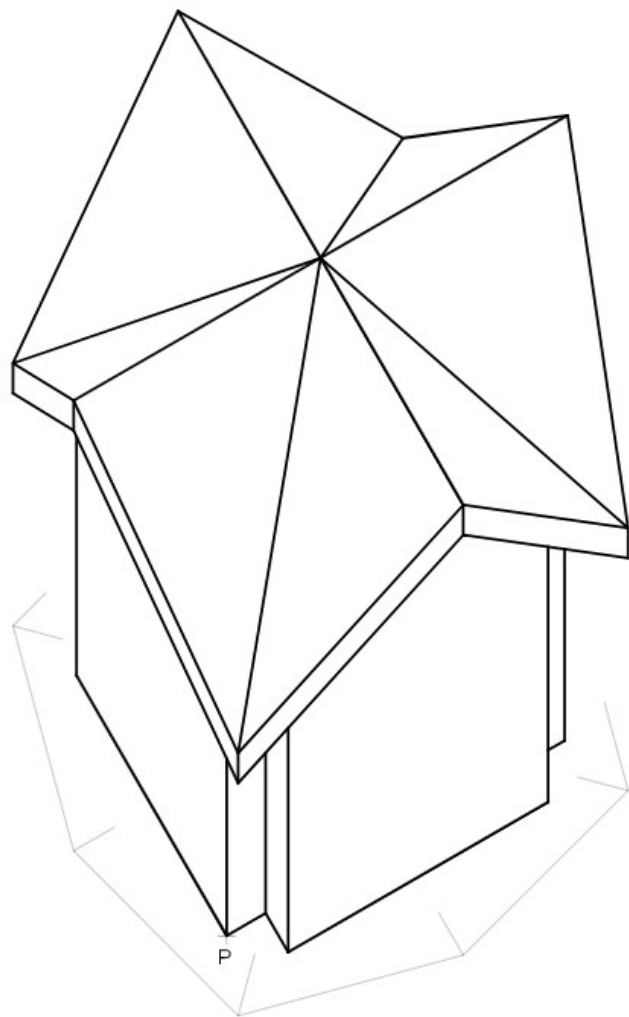
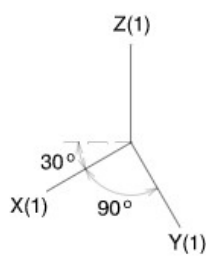
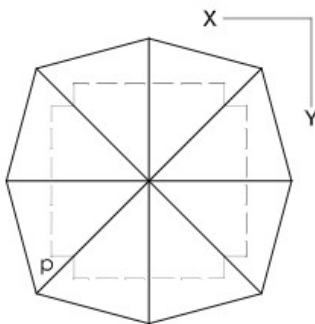
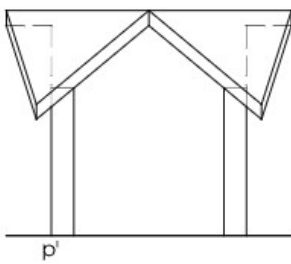
STANDARD KIT 2

2014 a 2011

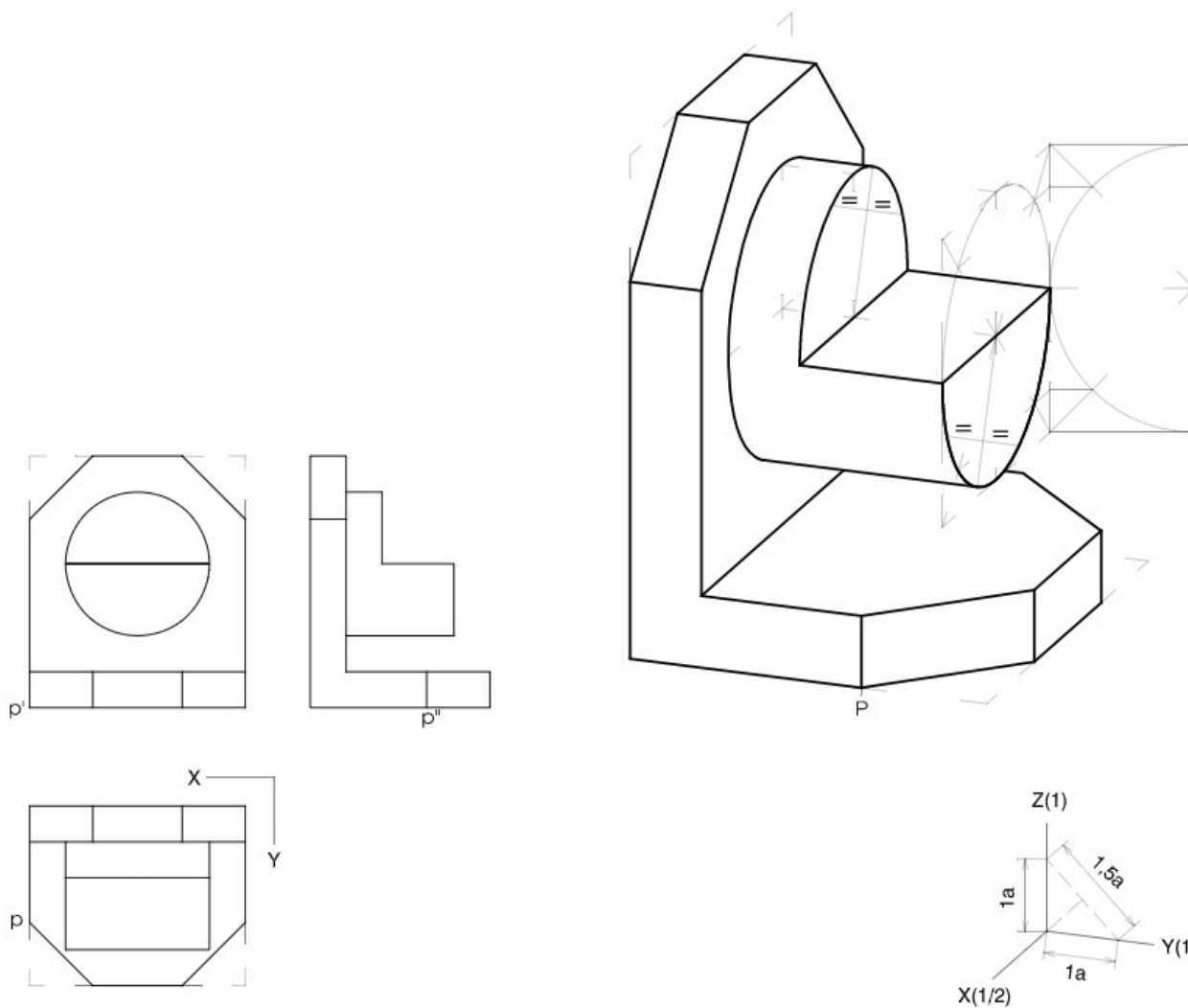
SOLUCIONS

Autor: Jordi Cherta Romani

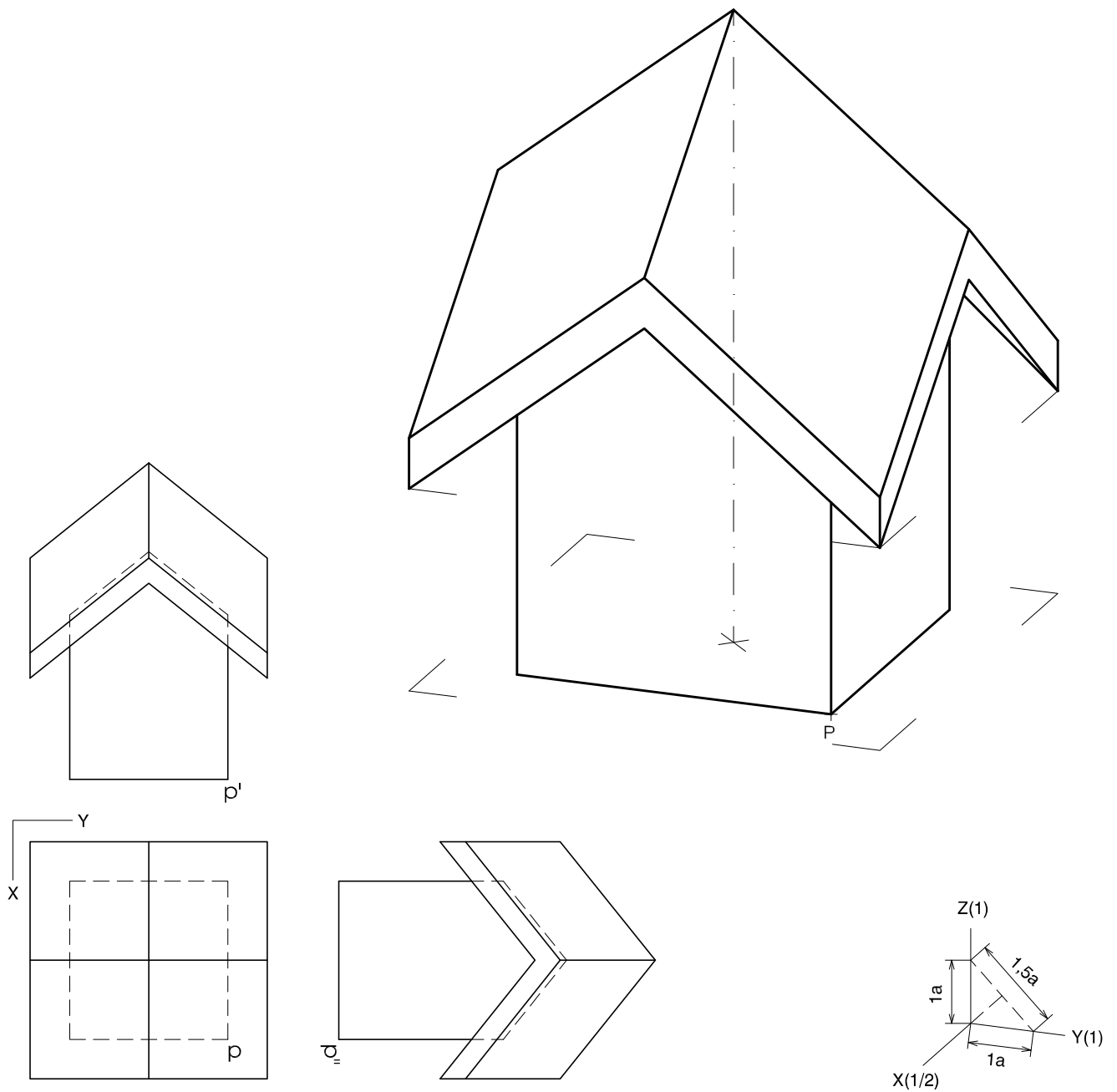
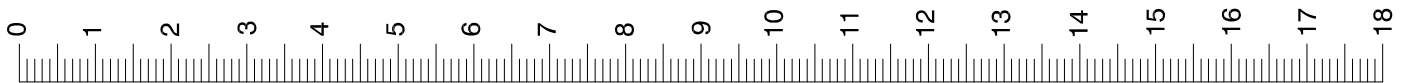
S2.3A



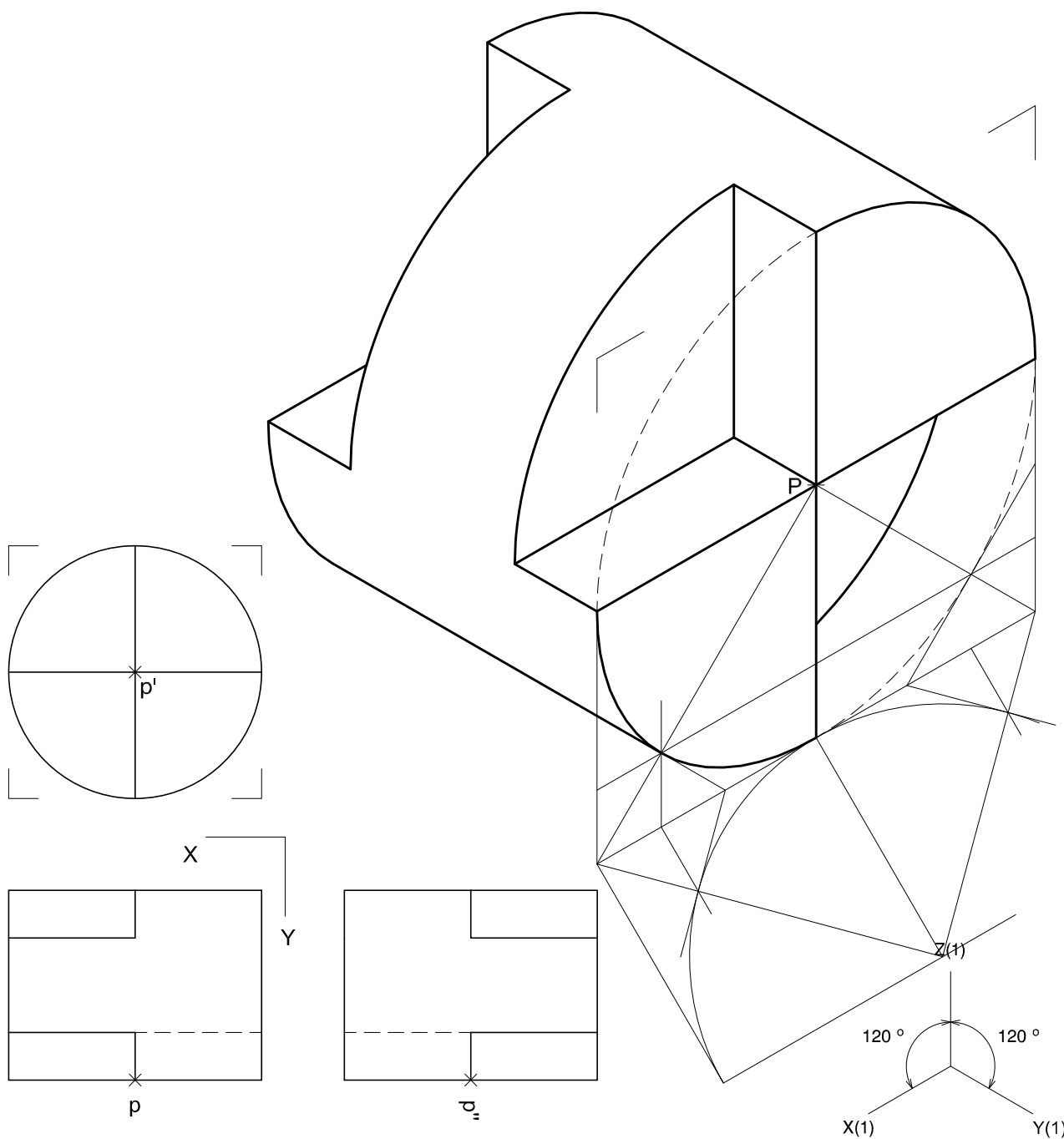
S2.3B



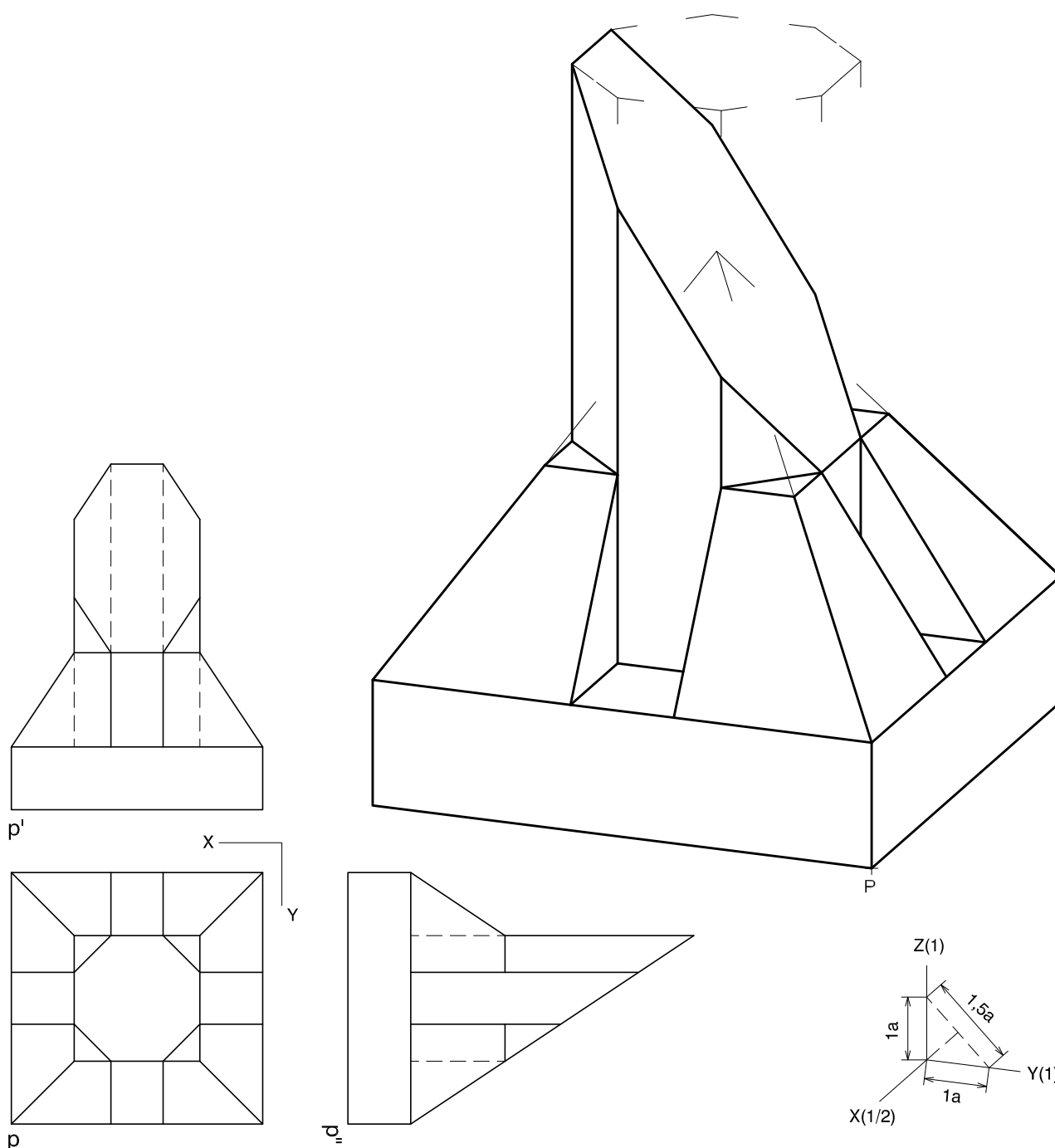
S3.3A



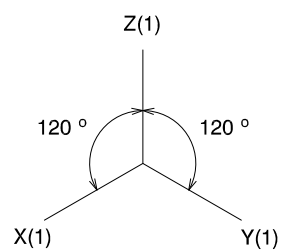
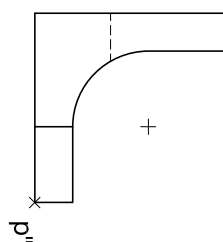
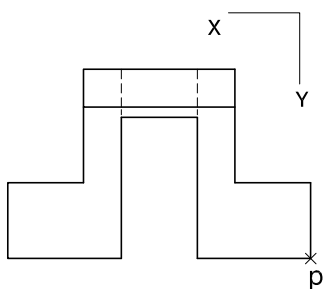
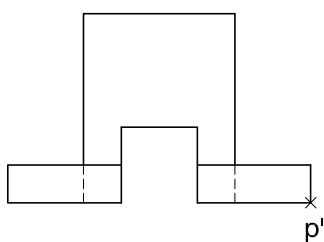
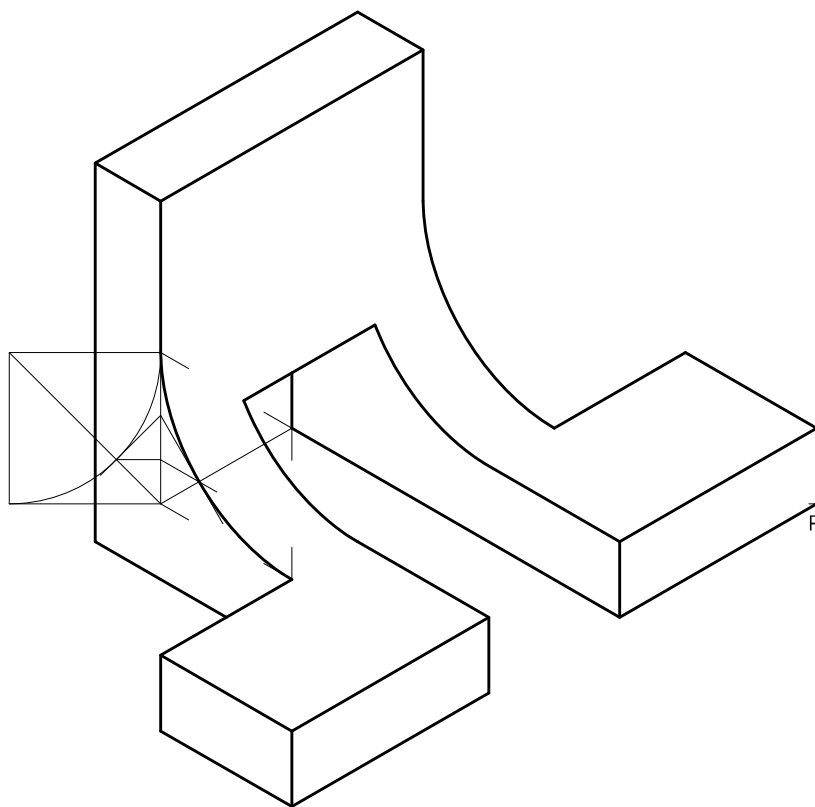
S3.3B



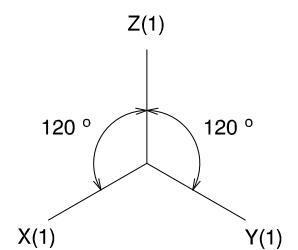
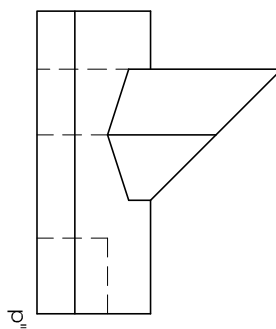
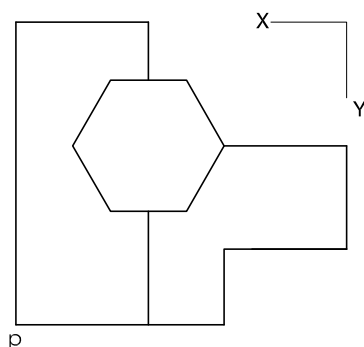
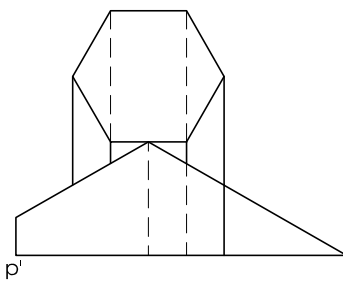
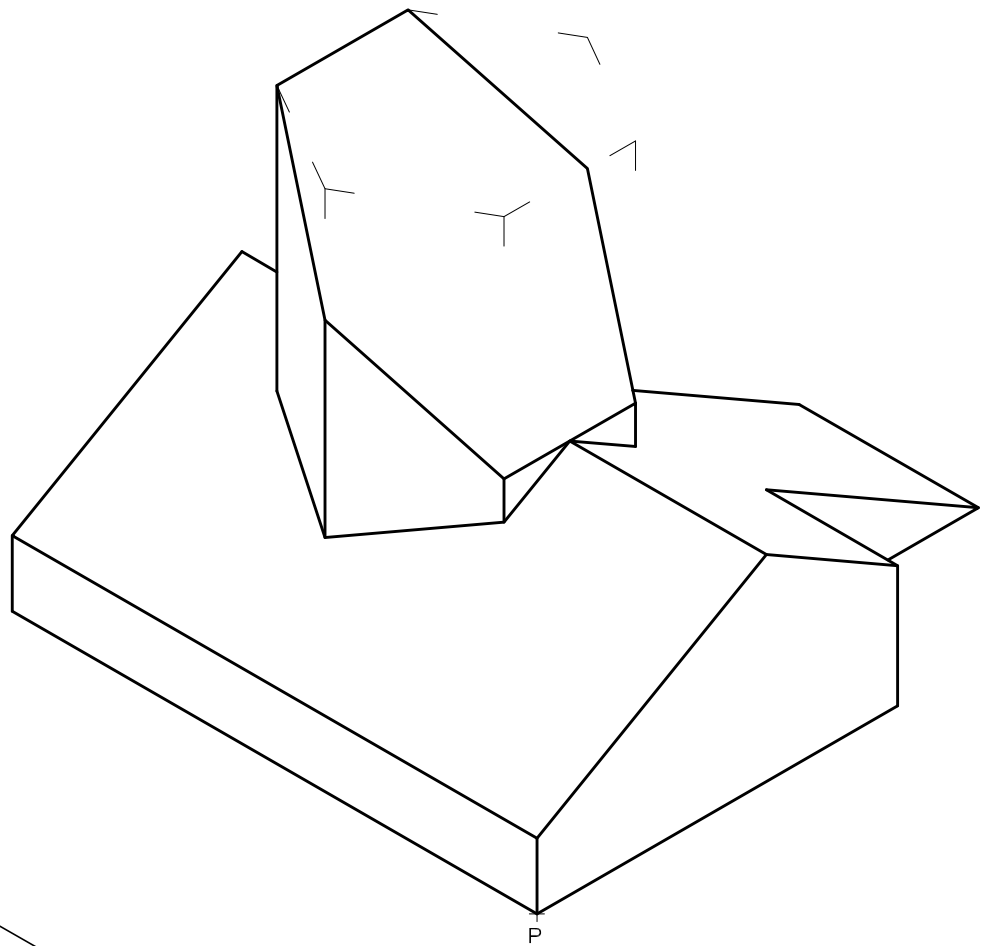
S1.3A



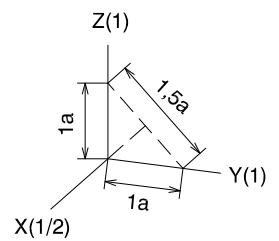
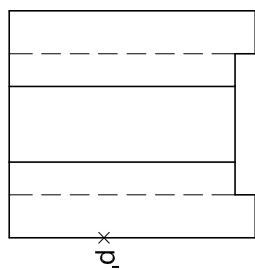
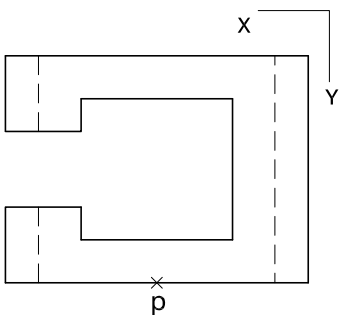
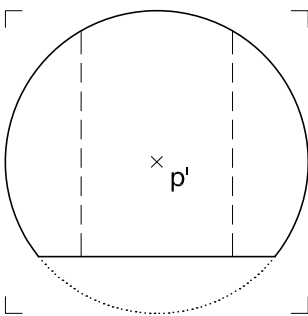
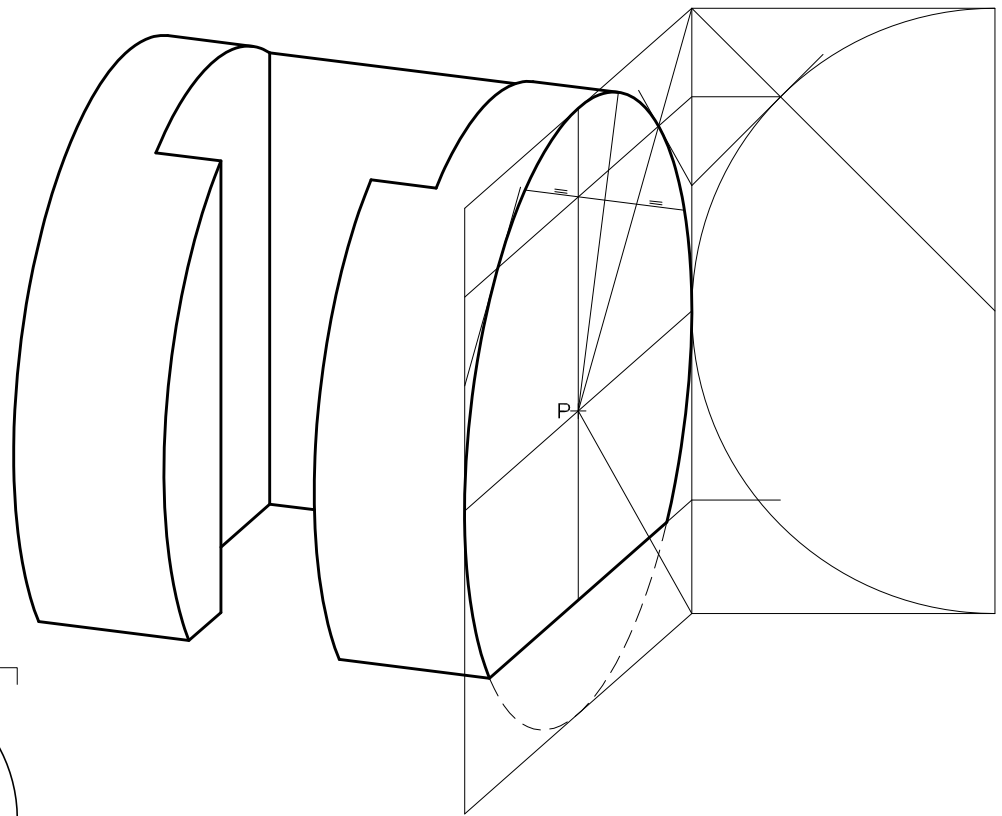
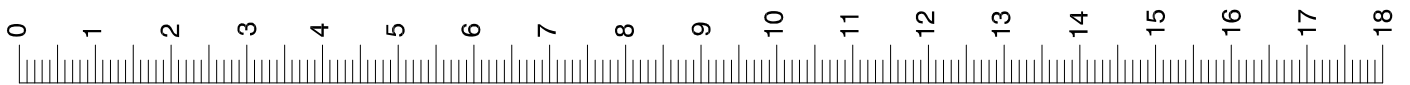
S1.3B



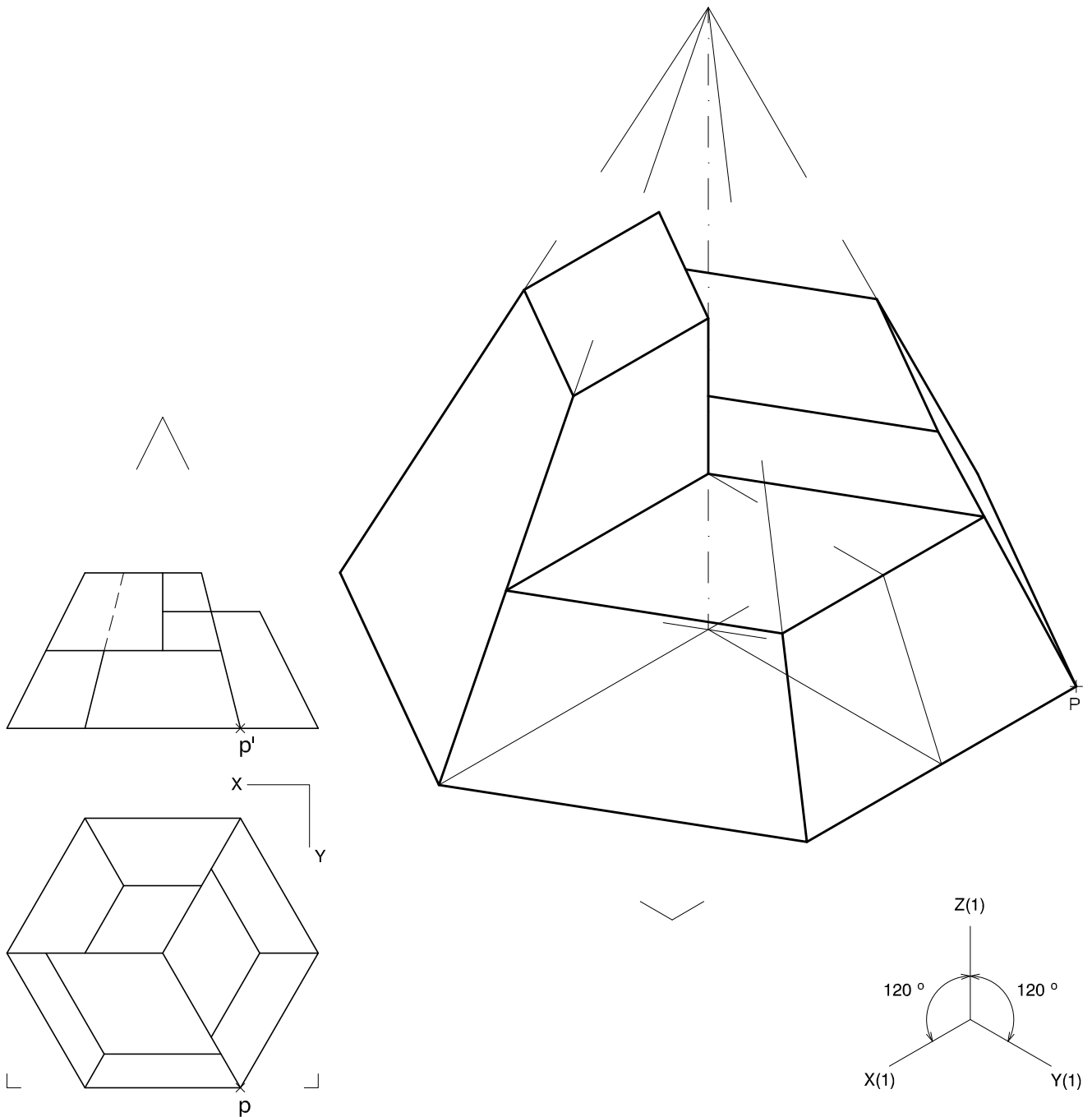
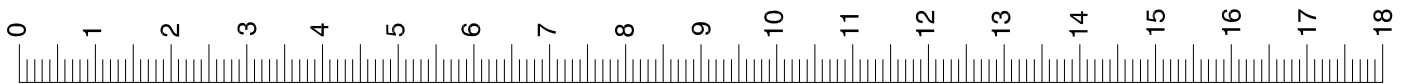
S4.3A



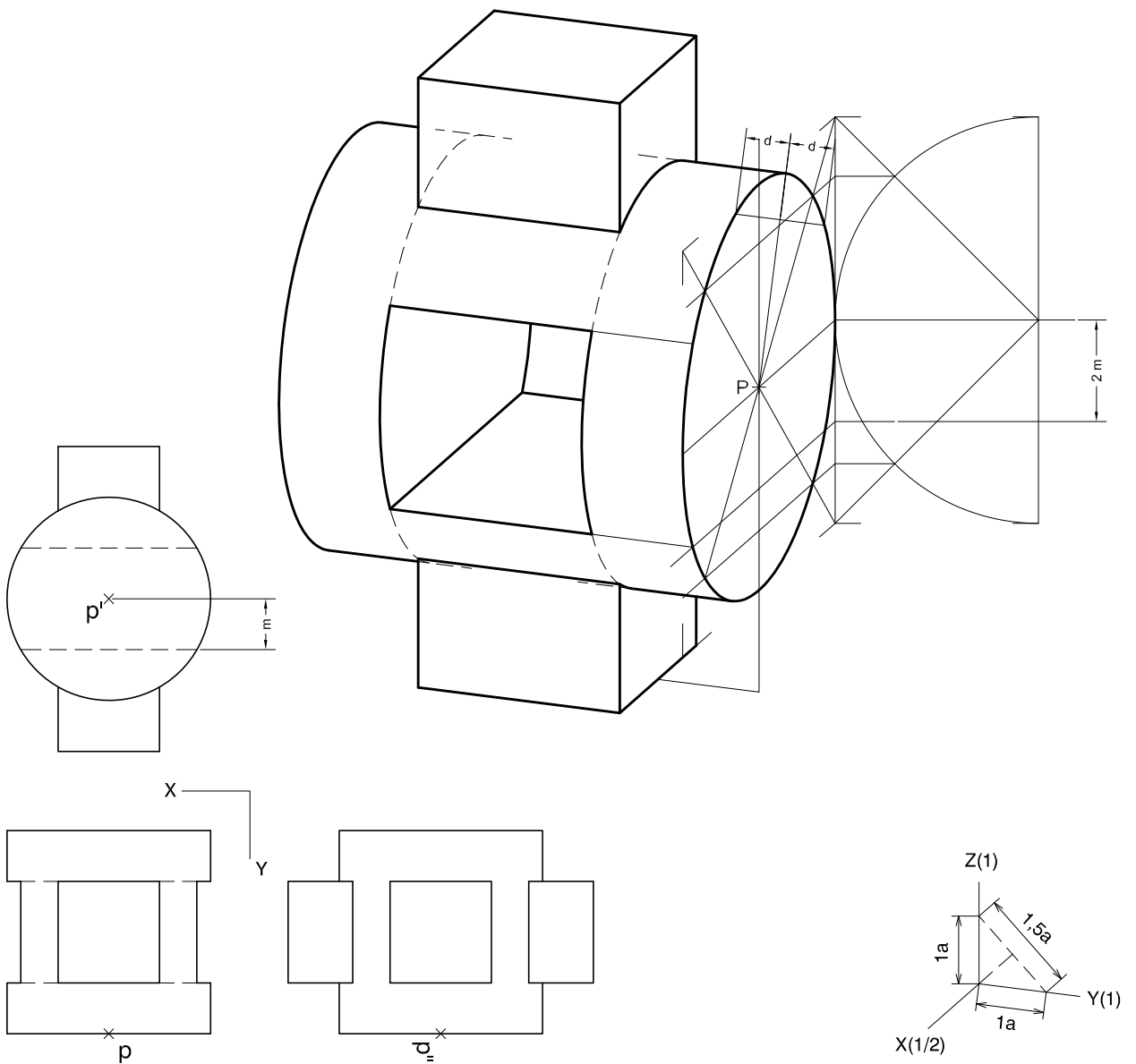
S4.3B



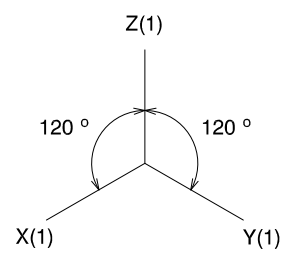
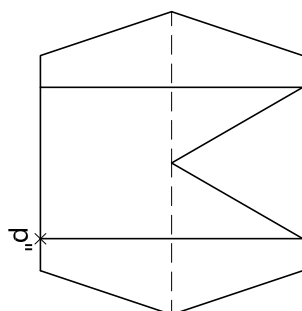
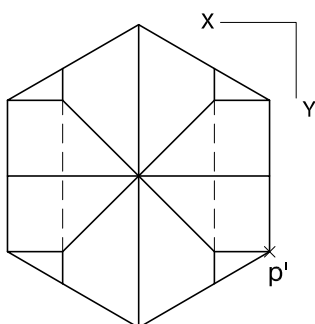
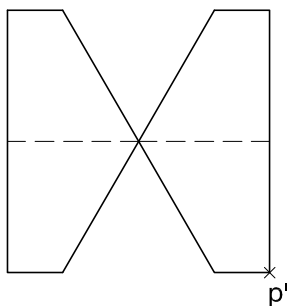
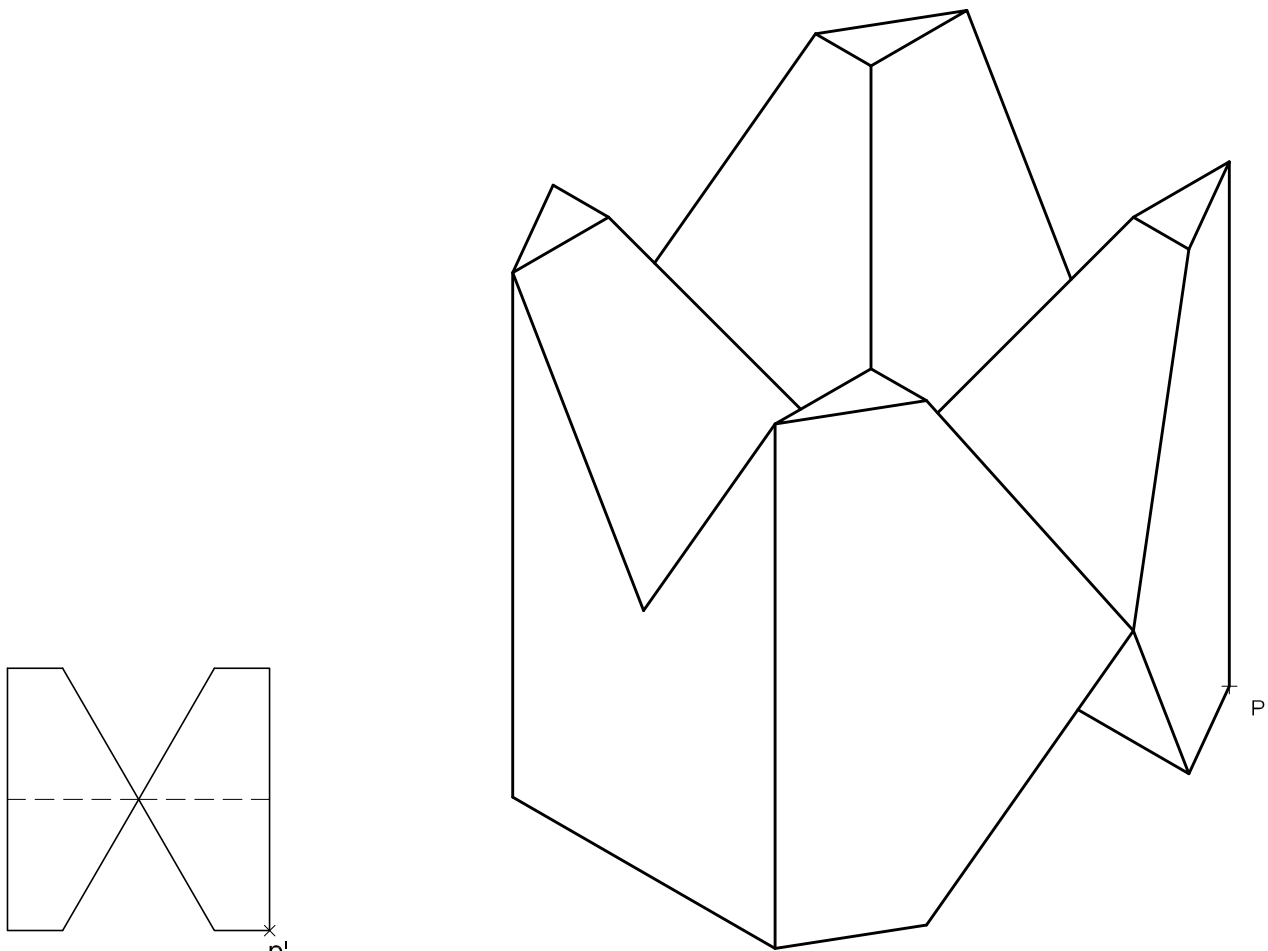
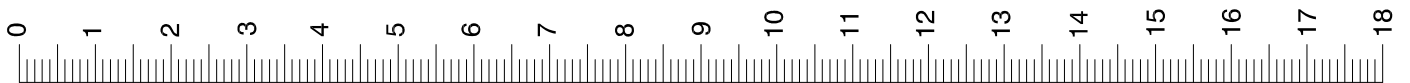
S4.3A



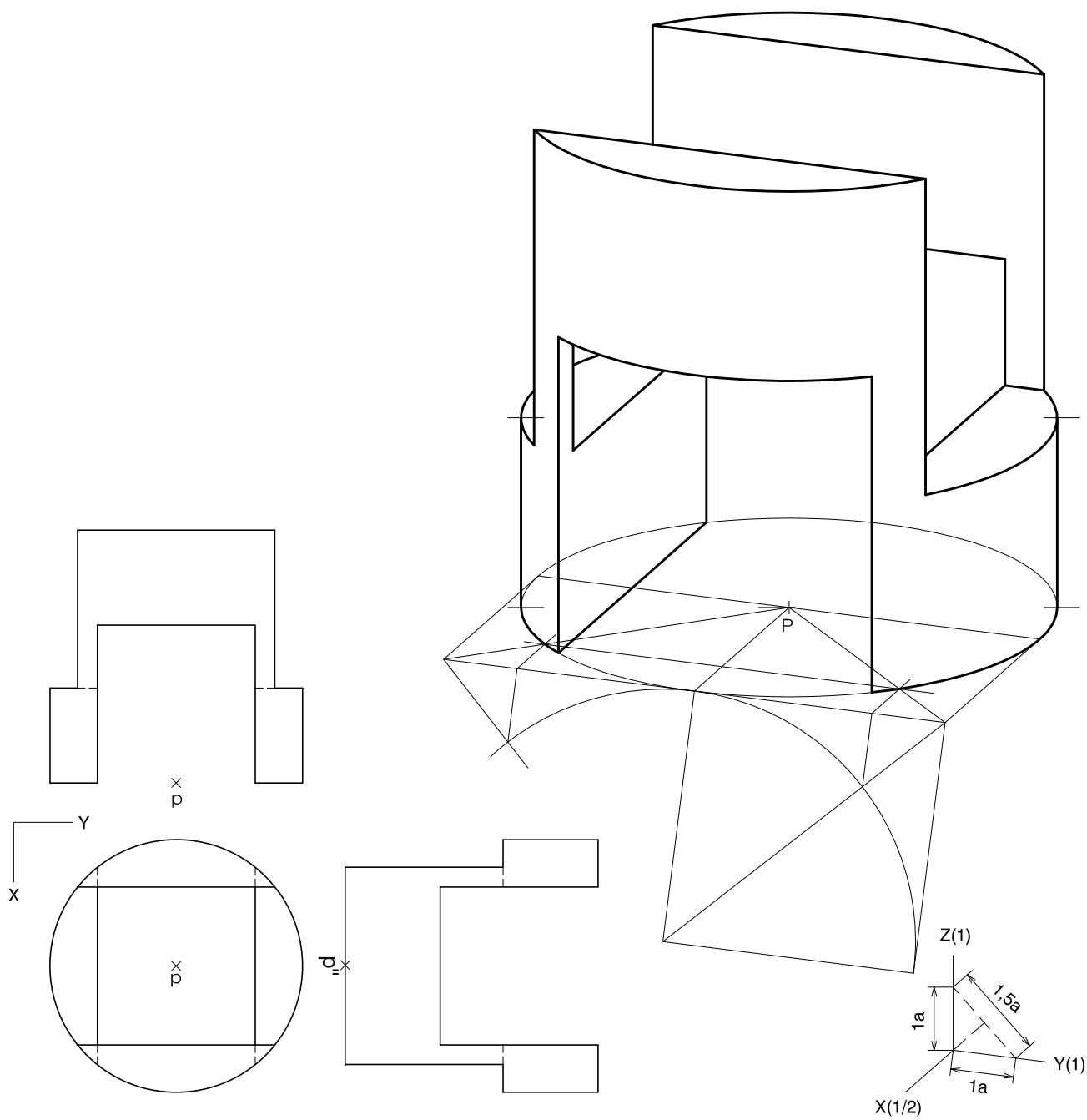
S4.3B



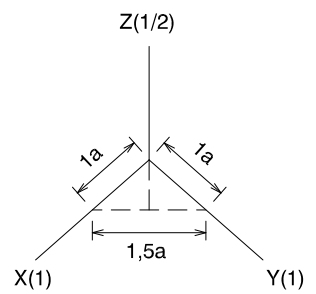
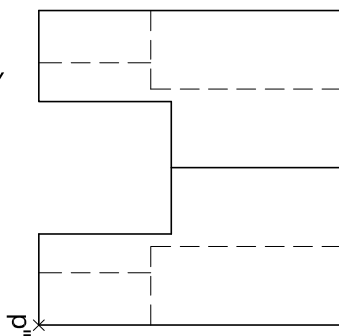
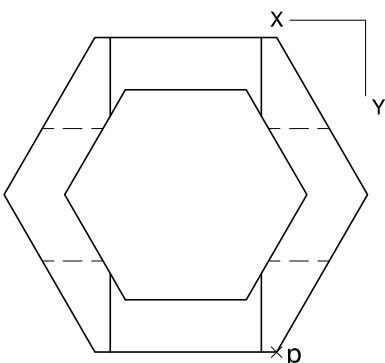
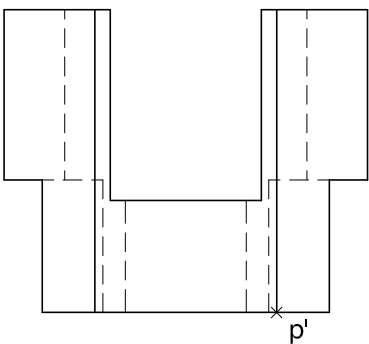
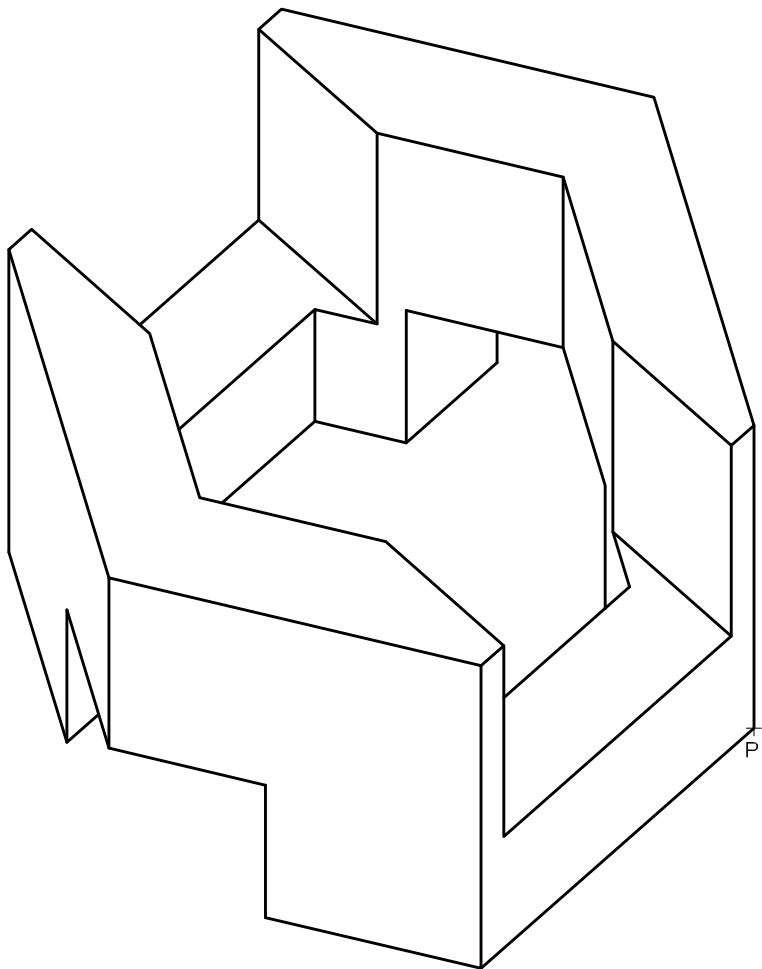
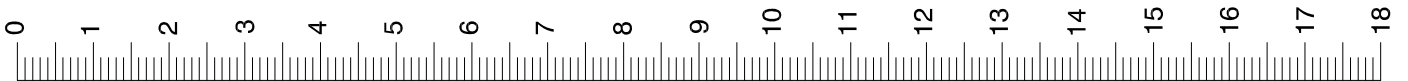
S3.3A



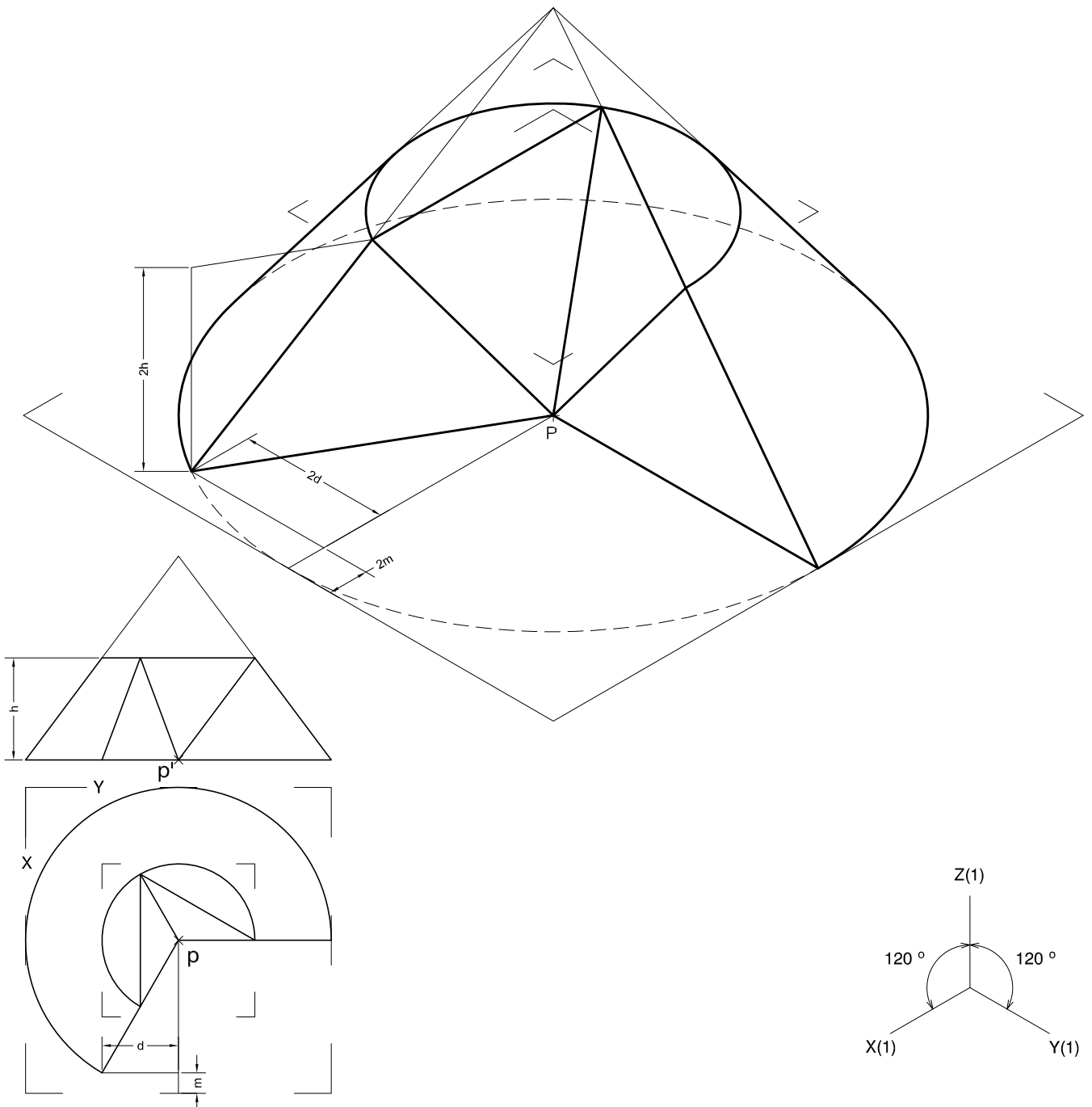
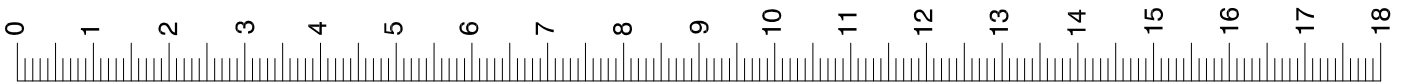
S3.3B



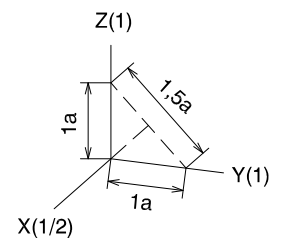
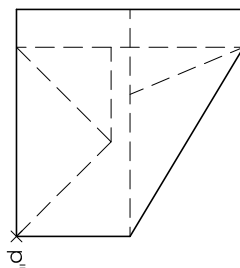
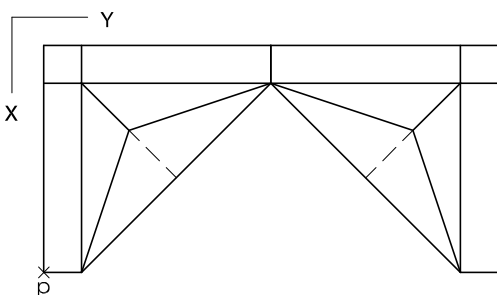
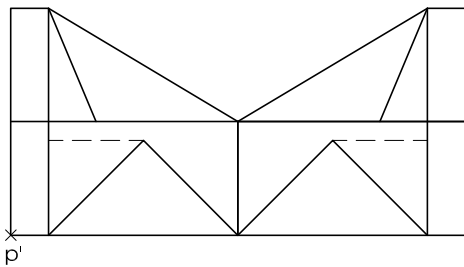
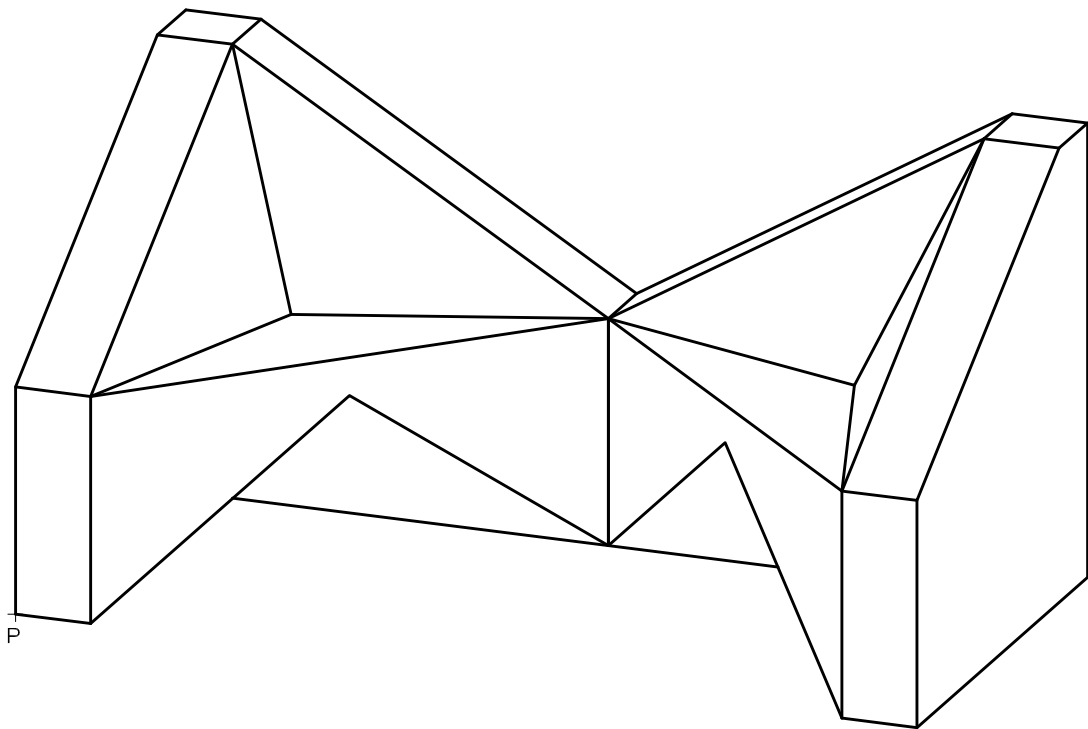
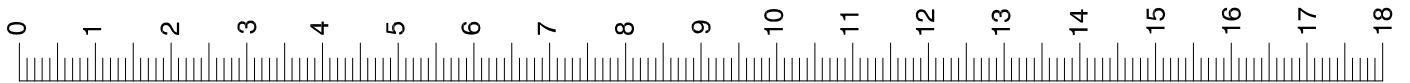
S1.3A



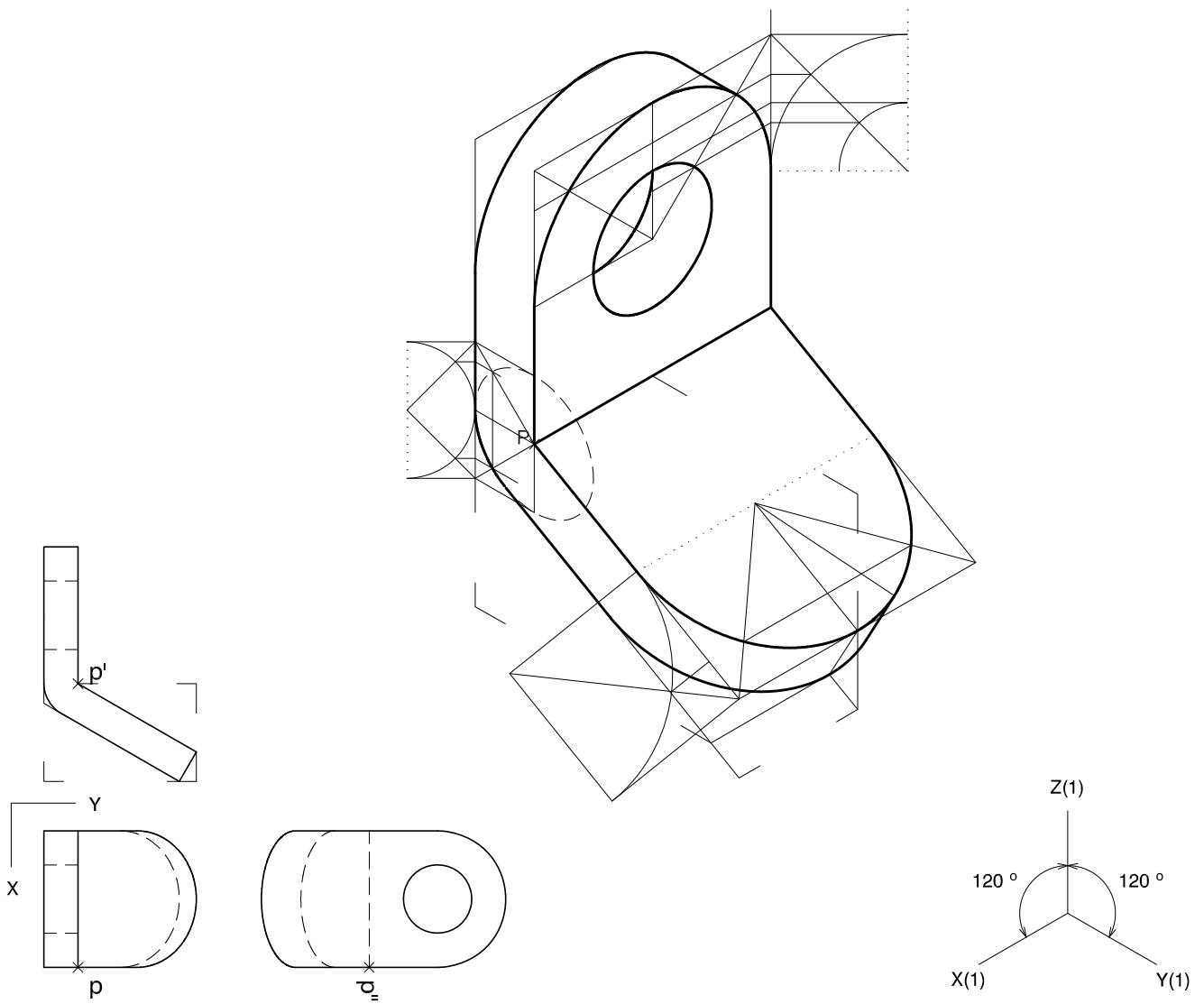
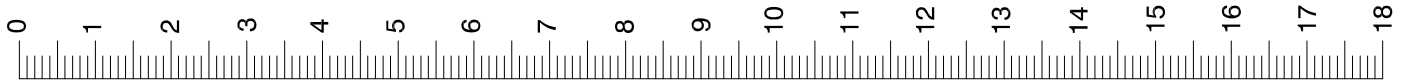
S1.3B



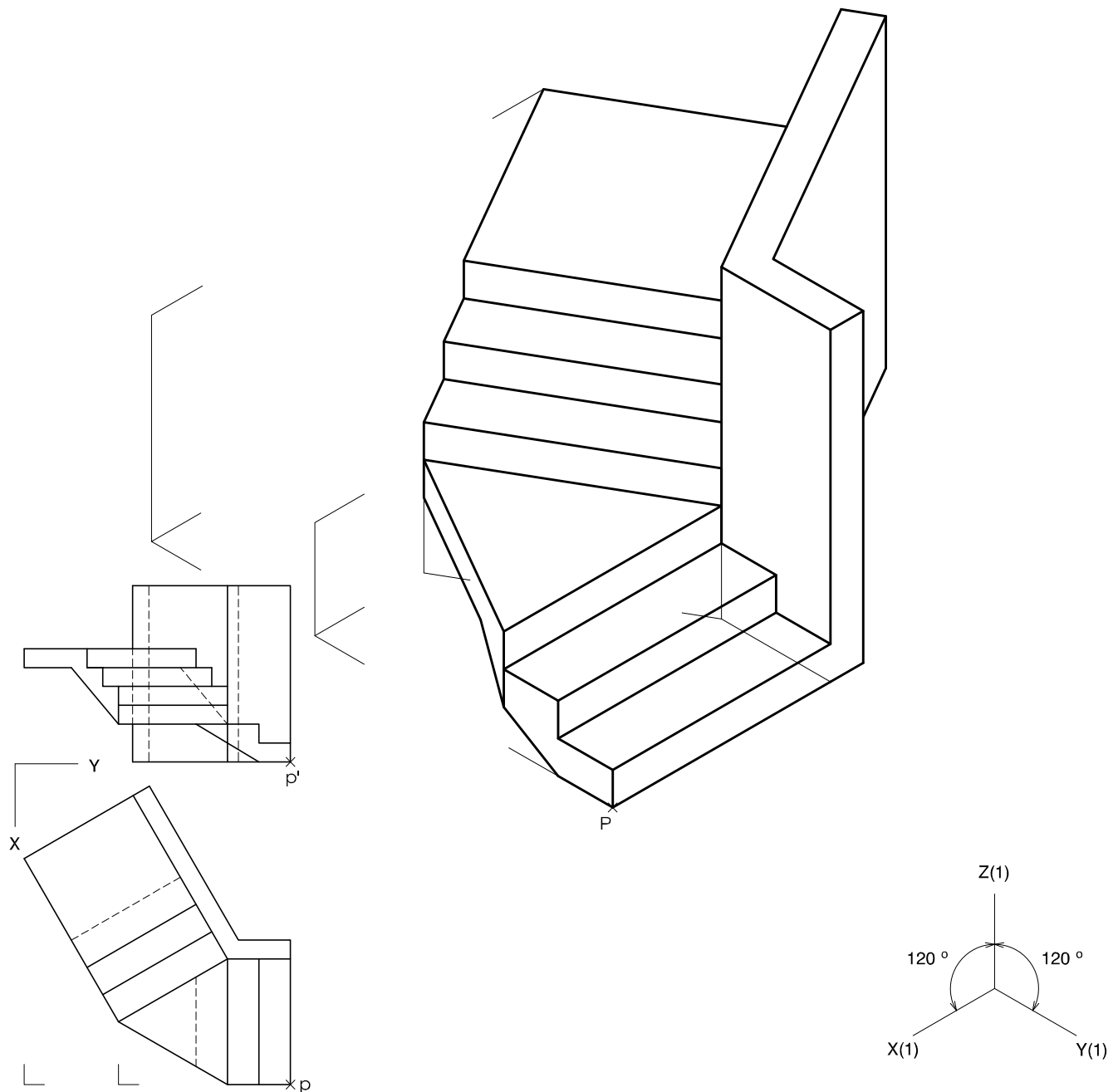
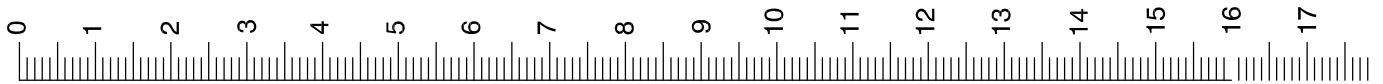
S3.3A



S3.3B



S4.3A



S4.3B

